



ARGO

CONQUEST

PARTS MANUAL

From Serial # ...23216

Foreword

ODG has prepared this parts manual for the CONQUEST model to assist both qualified mechanics and vehicle owners in ordering correct, quality replacement ARGO parts.

Proper and regular service, and replacing old, worn or broken parts with the correct ARGO replacement parts, are both essential to prolonging the life of the ARGO. Please refer to this parts manual before ordering any replacement part.

All information contained in this CONQUEST Parts Manual is based on the latest product specification available at time of printing. If your CONQUEST differs from the specifications contained in this manual, contact Ontario Drive & Gear Limited for information.

ODG reserves the right to alter specifications on the CONQUEST model at any time, without obligation or prior notification.

Reproduction of this CONQUEST Parts Manual, in whole or in part, is prohibited without prior written permission from Ontario Drive & Gear Limited.

Vehicle Identification

CONQUEST - Serial Nos. C23216

Explanation of Parts Manual Format

- Ref** - Reference number between assembly diagram and component parts list
- Part No.** - Argo replacement part number for identification and re-ordering
- Description** - Part description for identification and re-ordering
- Qty** - Indicates the quantity of a part used in an Assembly

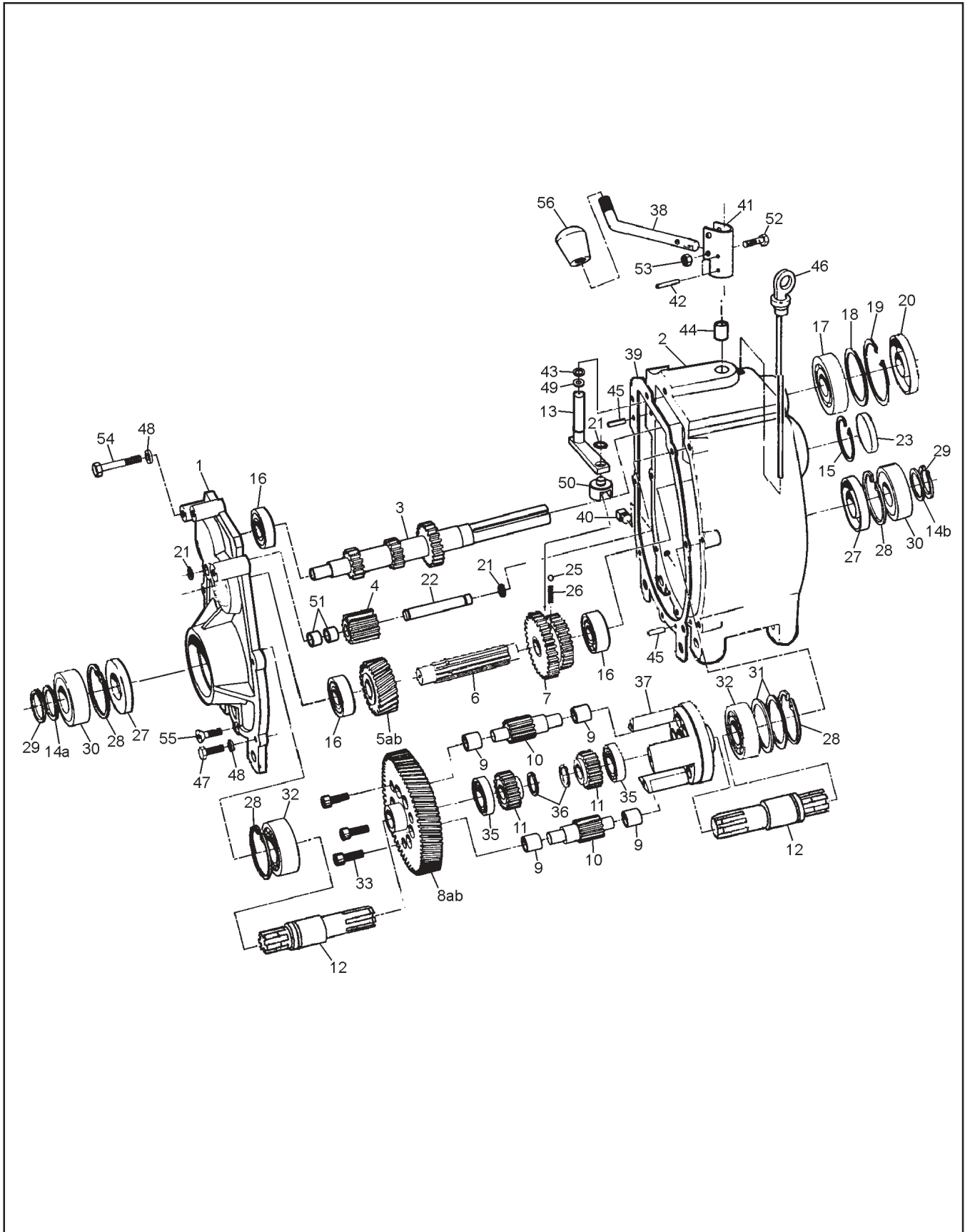


Using the Parts Manual

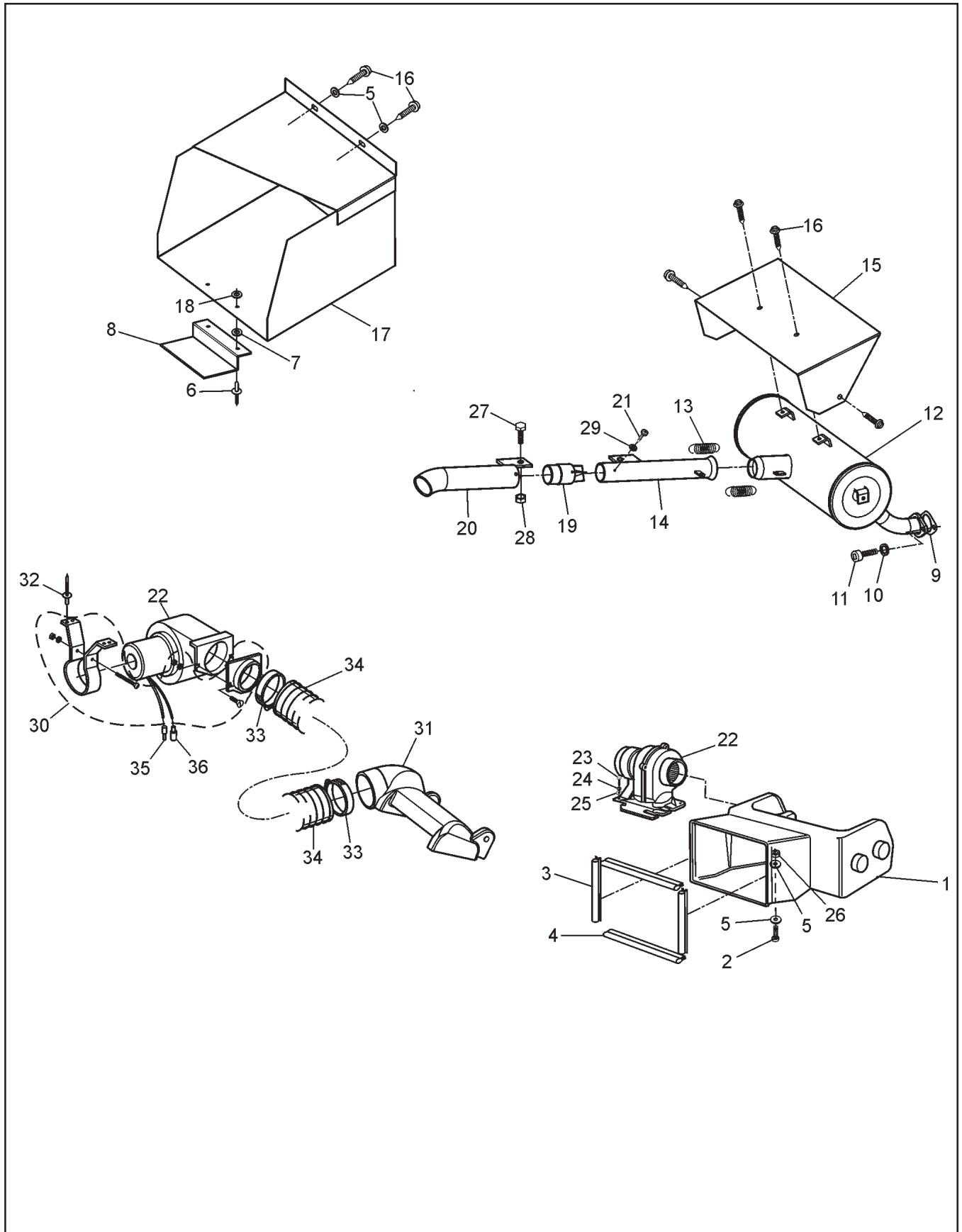
1. Find the major vehicle assembly in the Table of Contents on this page, and turn to that section.
2. Locate the part in the illustration that you wish to order.
3. Refer to the parts list in that section.
4. Find the correct part number (Part No.), part description (Description) and correct quantity (Qty).
5. Use *only* this information to order ARGO replacement parts. *DO NOT* attempt to order a replacement part by reference number or page number.

Table of Contents

| | |
|---------------------------------------|----|
| Foreword | i |
| Model Identification | i |
| Using the Parts Manual | ii |
| 1.0 Transmission | 1 |
| 2.0 Intake and Exhaust System | 3 |
| 3.0 Clutch System | 5 |
| 4.0 Power Pack Assembly | 7 |
| 5.0 Steering & Brake System | 9 |
| 6.0 CE Kit - 848-65 | 11 |
| 7.0 Vehicle Body & Firewall | 13 |
| 8.0 Frame & Drive System | 15 |
| 9.0 Fuel System & Seat Assembly | 17 |
| 10.0 Alternator System | 18 |
| 11.0 Electrical System | 19 |



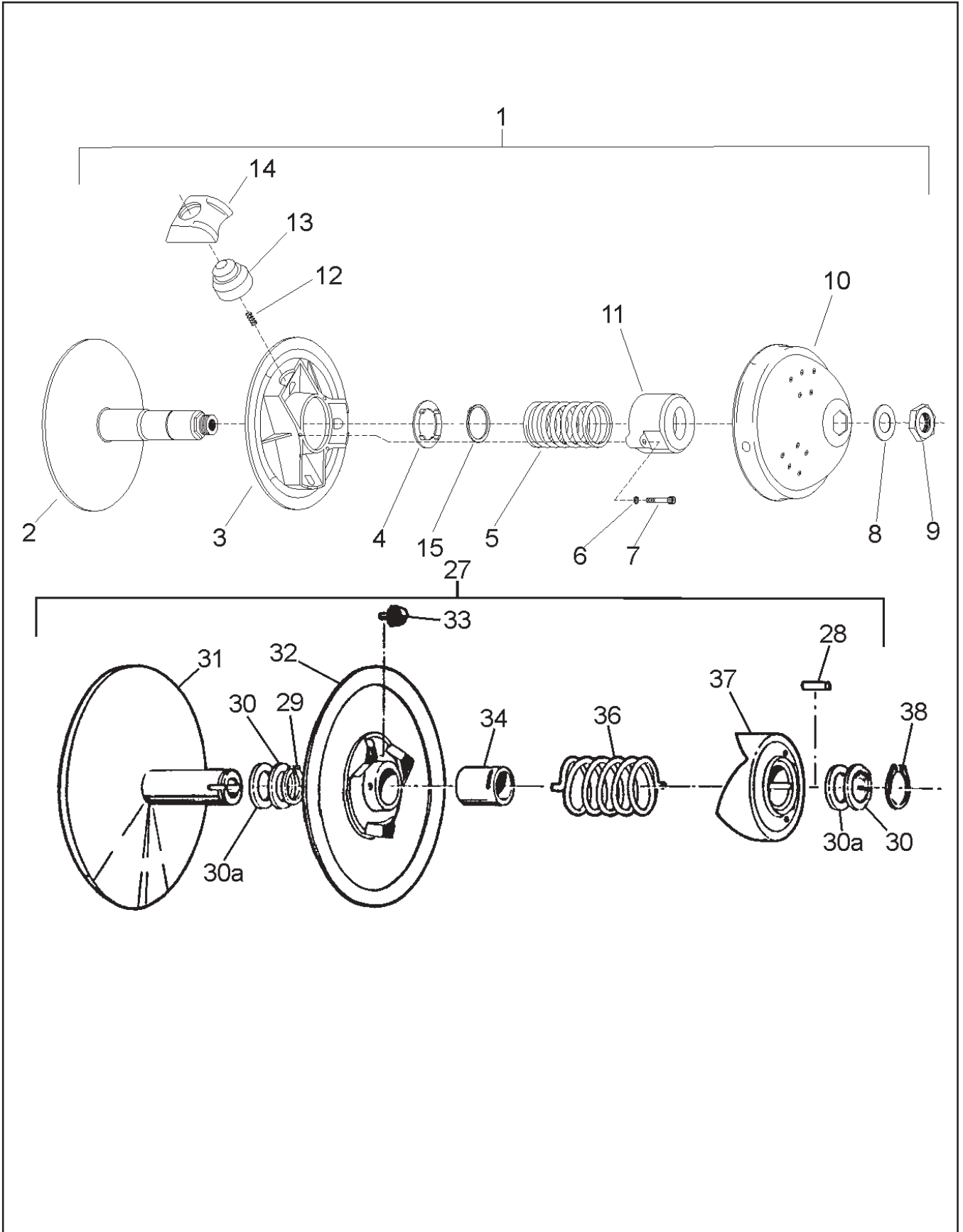
| Ref. | Qty. | Part # | Description |
|------|---------|---------|--|
| | | 610-18M | Transmission Asm - M, does not include Refs 38,52,53 & 56, uses Refs 5a & 8a |
| | | 610-18G | Transmission Asm - G, does not include Refs 38,52,53 & 56, uses Refs 5b & 8b |
| 1 | 1 | 34-68 | Cover, Transmission |
| 2 | 1 | 34-99 | Housing, Transmission |
| 3 | 1 | 34-21 | Shaft, Input - 13/21T |
| 4 | 1 | 34-16A | Gear, Idler - 13T (incl. Ref 51) |
| 5a | 1 | 34-95 | Gear, Helical - 24T - M |
| 5b | 1 | 34-97 | Gear, Helical - 21T - G |
| 6 | 1 | 34-94 | Shaft, Spline |
| 7 | 1 | 34-91 | Gear, Double - 26/33T |
| 8a | 1 | 34-22 | Gear Plate - 73T - M |
| 8b | 1 | 34-45 | Gear Plate - 76T - G |
| 9 | 12 | 105-03 | Bushing, Oilite - ½ x 3/4 |
| 10 | 6 | 34-13 | Gear, Planet - 12T |
| 11 | 2 | 34-14 | Gear, Sun - 21T |
| 12 | 2 | 34-98 | Shaft, Output |
| 13 | 1 | 34-65 | Shifter Asm. |
| 14a | 1 | 114-04 | Washer, Shim .040 Thk |
| 14b | 1 | 114-05 | Washer, Shim .020 Thk |
| 15 | 1 | 106-01 | Retaining Ring |
| 16 | 3 | 101-01 | Bearing, Ball 6204Z-C3 |
| 17 | 1 | 101-16 | Bearing, Ball 6206-C3 |
| 18 | as req. | 114-02 | Washer, Shim 2.06x2.42x.02 |
| 19 | 1 | 106-05 | Retaining Ring |
| 20 | 1 | 102-05 | Seal, Oil WBS 30x62x10 |
| 21 | 3 | 107-05 | Retaining Ring |
| 22 | 1 | 34-11 | Pin, Dowel ½ x 3.50 |
| 23 | 1 | 31-07 | Plug Plate |
| 25 | 1 | 109-05 | Ball, Steel 6mm 62-67 Rc |
| 26 | 1 | 34-32 | Spring, Compression - 7/32x.50 |
| 27 | 2 | 102-03 | Seal, Oil WBS 30x72x10 |
| 28 | 4 | 106-03 | Retaining Ring |
| 29 | 2 | 107-02 | Retaining Ring |
| 30 | 2 | 101-05 | Bearing, Ball 6306-2NSE C3 |
| 31 | 2 | 114-01 | Washer, Shim 2.25x2.81x.02 |
| 32 | 2 | 101-03 | Bearing, Ball 6207-C3 |
| 33 | 3 | 103-04 | SHCS 5/16-18x1.0 Bare |
| 35 | 2 | 101-15 | Bearing, Ball 6005-C3 |
| 36 | 2 | 107-04 | Retaining Ring |
| 37 | 1 | 34-08 | Cage |
| 38 | 1 | 610-77 | Lever, Shift |
| 39 | 1 | 34-47 | Gasket, Cover - 1/64" Thk |
| 40 | 1 | 103-02 | Plug, Magnetic 3/8-18 NPT |
| 41 | 1 | 34-86 | Holder, Shift Lever |
| 42 | 2 | 111-01 | Pin, Spring 5/32x1.0 |
| 43 | 1 | 113-01 | O-Ring |
| 44 | 1 | 105-02 | Bushing, Oilite - ½ x 1.0 |
| 45 | 2 | 104-03 | Pin, Dowel 1/4 x 7/8 |
| 46 | 1 | 34-77 | Dipstick, with breather |
| 47 | 4 | 103-06 | HHCS 5/16-18x1.0 GR5 Zn |
| 48 | 7 | 108-05 | Lockwasher 5/16 |
| 49 | 1 | 108-74 | Washer .64 x .875 x .10 Zn |
| 50 | 1 | 34-63 | Shift Yoke |
| 51 | 2 | 101-79 | Bearing, Drawn Cup Needle |
| 52 | 1 | 103-97 | HHCS 1/4-20x1.25 GR5 Zn |
| 53 | 1 | 117-27 | Locknut, Nylon 1/4-20 Zn |
| 54 | | | See Section 4.0 Power Pack Assembly |
| 55 | 1 | 103-95 | FHSC 5/16-18x1.0 GR8 Zn |
| 56 | 1 | 126-38 | Knob, Shift |



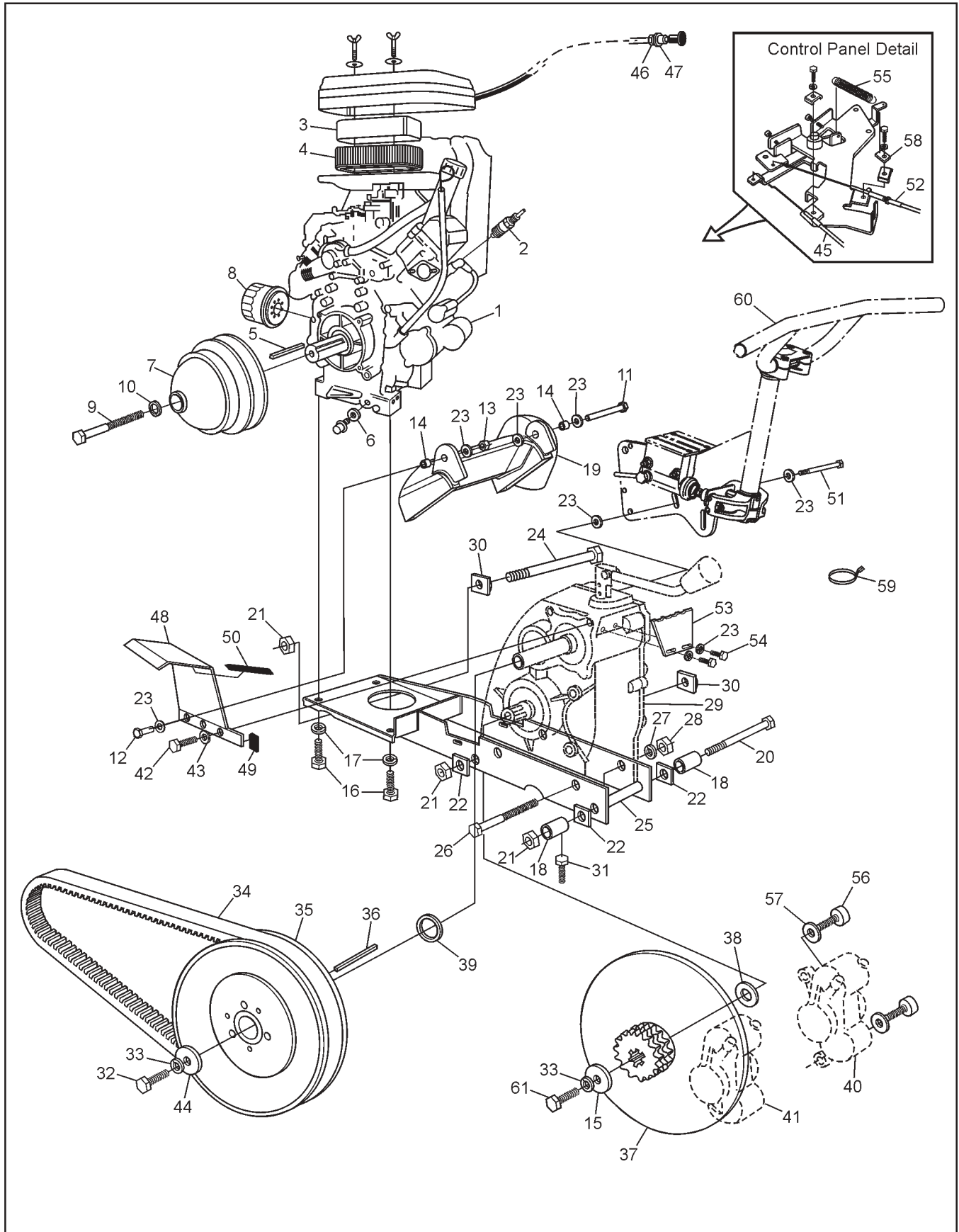
Conquest Parts Manual

2.0 Intake and Exhaust System

| Ref. | Qty. | Part # | Description |
|------|------|------------|---|
| 1 | 1 | 807-76 | Duct, Intake |
| 2 | 2 | 103-63 | PHMS, PHIL 1/4-20x1.0 Zn |
| 3 | 2 | 807-78 | Seal, Radiator - 9.75" LG |
| 4 | 2 | 807-77 | Seal, Radiator - 11.5" LG |
| 5 | 6 | 108-01 | Washer, Fender 1/4 BS x1.25 OD |
| 6 | 6 | 120-13 | Rivet 3/16 x 5/8 - Black |
| 7 | 2 | 125-58 | Washer, Fibre - W-77F |
| 8 | 1 | 707-28 | Support, Exhaust Duct |
| 9 | 2 | 11060-2079 | Gasket |
| 10 | 4 | 108-02 | Lockwasher 5/16 Hi-Collar Bare |
| 11 | 4 | 112-30 | SHCS M8x1,25x20mm Zn |
| 12 | 1 | 807-95 | Muffler, Kawasaki V-Twin |
| 13 | 2 | 126-57 | Spring, Extension- 7/16x2.14 |
| 14 | 1 | 807-97 | Pipe, Muffler Tail - Kawasaki |
| 15 | 1 | 807-94 | Shield, Heat - Kawi Muffler |
| 16 | 6 | 112-19 | Screw, IHWH T/C Slot 1/4-20x1/2 |
| 17 | 1 | 807-96 | Duct, Exhaust - Kawasaki |
| 18 | 2 | 120-04 | Washer .19x.50x.08 Zn |
| 19 | 1 | 807-67 | Spark Arrester |
| 20 | 1 | 807-89 | Tube, Tailpipe Outlet |
| 21 | 1 | 112-43 | Screw IHWH #8x3/8 |
| 22 | 1 | 125-91 | Blower Fan |
| 23 | 4 | 103-47 | HHCS, #10-24X1/2 |
| 24 | 4 | 120-05 | Washer, .19x.50x.04 |
| 25 | 4 | 108-59 | Lockwasher #10 Int. Tooth |
| 26 | 2 | 117-27 | Locknut, Nylon 1/4-20 Zn |
| 27 | 1 | 112-04 | HHCS 1/4-20 x3/4 Gr2 Zn |
| 28 | 1 | 117-81 | Locknut, 2-way 1/4-20 Zn |
| 29 | 1 | 108-77 | Lockwasher, #8 External Tooth |
| 30 | | 125-92 | Adpt. & Mounting Kit - includes the following: |
| | 1 | | Mounting Bracket |
| | 1 | | Nut, #10-32 |
| | 1 | | Lockwasher, 3/16" |
| | 1 | | Screw, #10-32x2" |
| | 2 | | Nut, 1/4-20 |
| | 2 | | Lockwasher, 1/4" |
| | 2 | | Screw, 1/4-20x5/8" |
| | 1 | | Adaptor, 3" dia. |
| 31 | 1 | 128-01 | Brake Cool Air Duct |
| 33 | 2 | 125-35 | Clamp, Gear 3.50" HF-52 |
| 34 | 1 | 127-06 | Hose, Intake - 3" dia. x 29" |
| 35 | 1 | 118-02 | Terminal, Male #76-1251 |
| 36 | 1 | 118-03 | Terminal, Female #76-1289 |



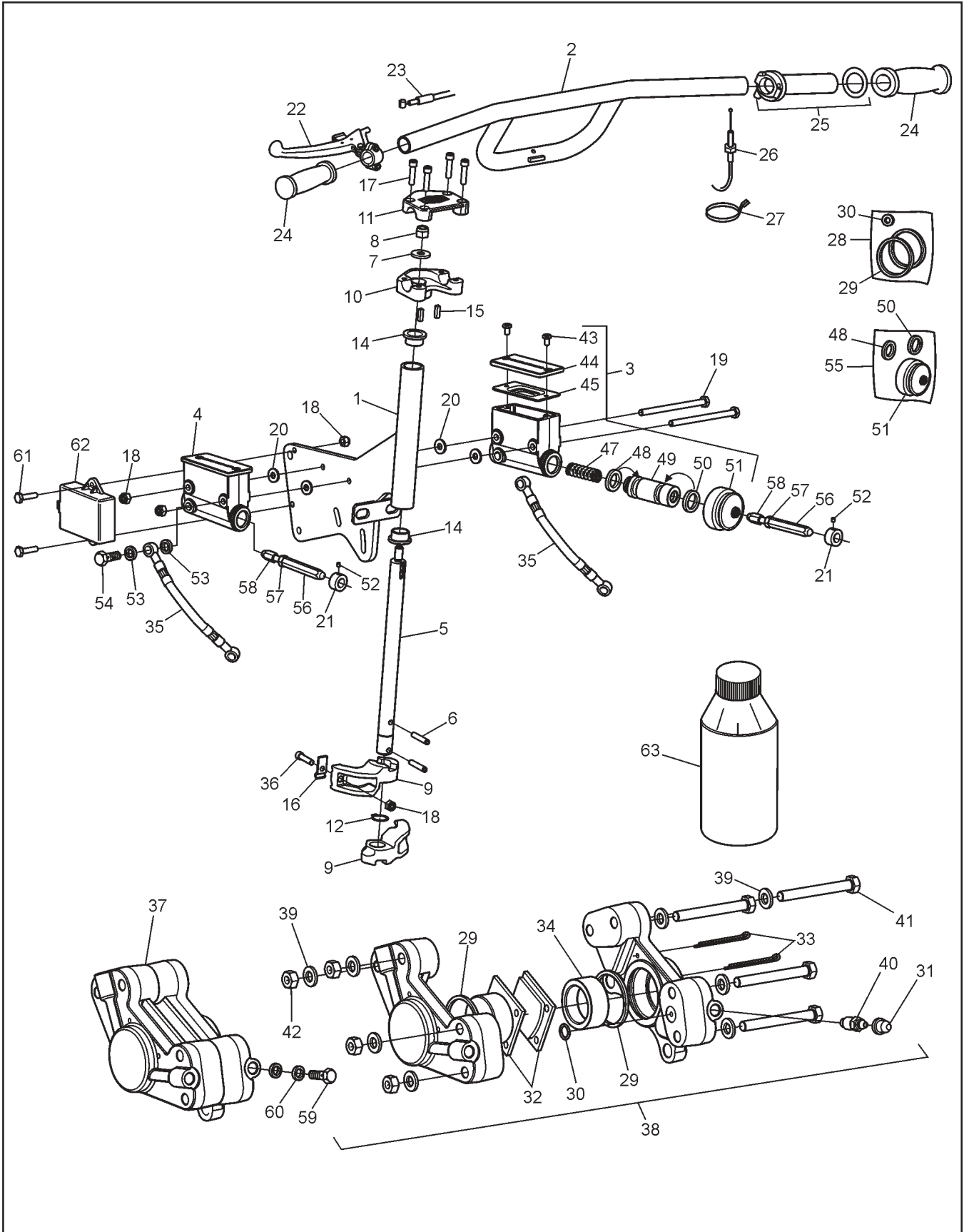
| Ref. | Qty. | Part # | Description |
|------|--------|-----------------|--|
| 1 | 1 | 127-71 | Clutch, Driver - Keyed (incl. Refs 2 to 14) |
| 2 | 1 | 0405-0044 | Pulley, Half - Fixed |
| 3 | 1 | 0410-0006 | Pulley, Half - Sliding |
| 4 | 1 | V09 | Plate, Spring Guide |
| 5 | 1 | V10-48-103-18 | Spring |
| 6 | 3 | 420-2453-700 | Lockwasher |
| 7 | 3 | 222-9640-66 | SHCS |
| 8 | 1 | 0080-0153 | Washer, Zn |
| 9 | 1 | 0080-0100 | Nut |
| 10 | 1 | 0115-0003(A) | Cap |
| 11 | 1 | 0440-0001 | Cover, Spring |
| 12 | 3 | C24-L1 | Spring, Anti-noise |
| 13 | 3 | 0135-2045 | Weight, 260g |
| 14 | 3 | 0130-3002 | Block, Red |
| 15 | 1 | V08C | Retaining Ring |
| 27 | 1 | 127-129 | Clutch, Driven - Model "B" (incl. Refs 28 to 37) |
| 28 | 1 | ASK-5 | Key 1/4x1/4x5/8 |
| 29 | 1 | ASR-6 | Retaining Ring |
| 30 | as req | ASA-1-S | Spacer .025" Thick |
| 30a | as req | ASA-1 | Spacer .050" Thick |
| 31 | 1 | AFK25.4-250OD01 | Pulley, Half - Fixed |
| 32 | 1 | 5110-0021 | Pulley, Half - Sliding incl. Refs. 33, 34 |
| 33 | 3 | ANS-2-T | Shoe, Cam |
| 34 | 1 | 5040-3003 | Bushing, Super Oilite |
| 36 | 1 | ACS-3-188 | Spring, Blue |
| 37 | 1 | AFC-4-C3D4 | Cam |
| 38 | 1 | 371-9031-000 | Retaining Ring |



Conquest Parts Manual

4.0 Power Pack Assembly

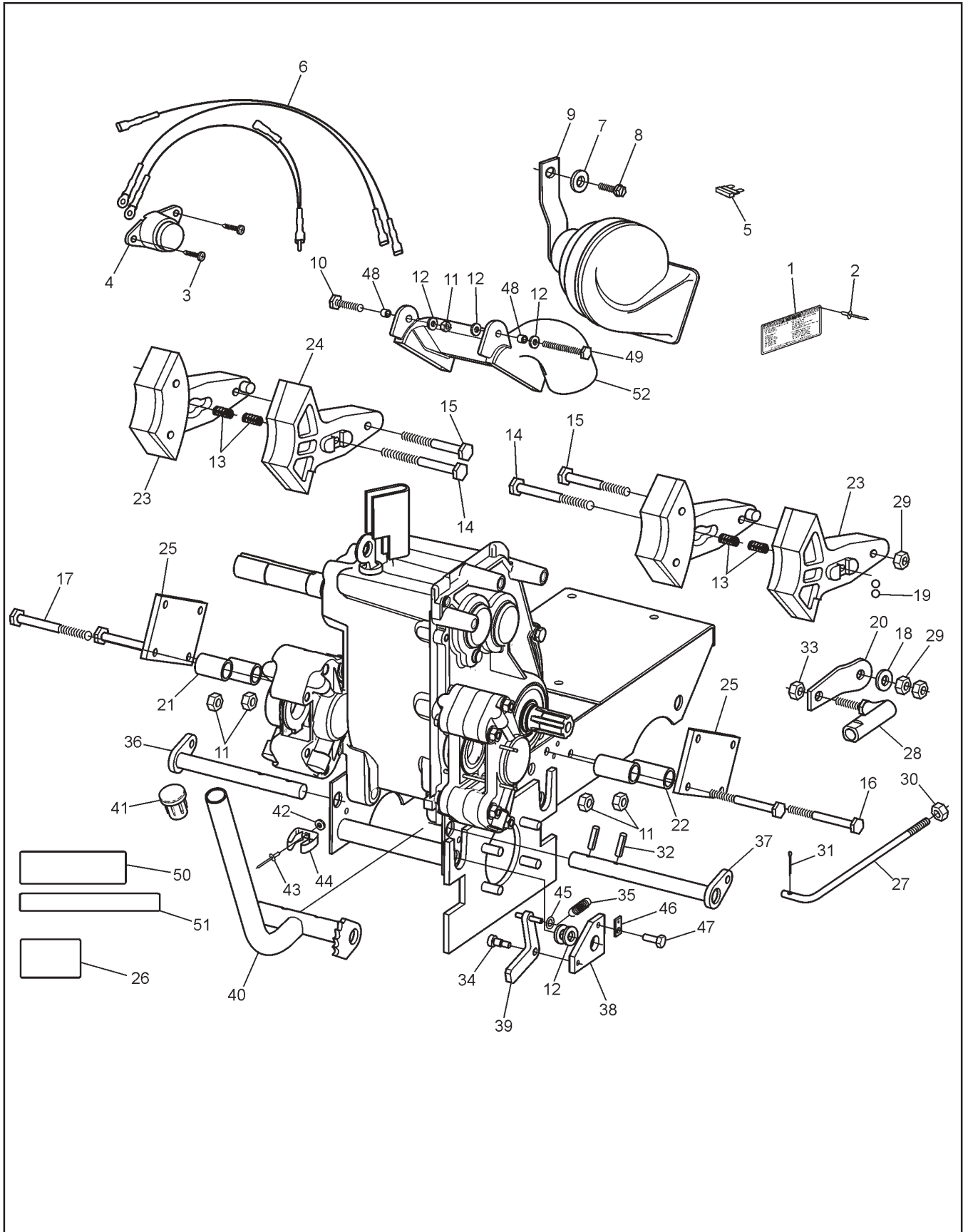
| Ref. | Qty. | Part # | Description | Ref. | Qty. | Part # | Description |
|------|------|-------------|--|----------|--------|---------|---|
| 1 | 1 | FD620D-JS12 | Engine - Kawasaki, (incl. Refs. 2, 3, 4, 6, 8, 41) | 36 | 1 | 110-09 | Key 1/4x1/4x3.0 |
| 2 | 2 | 92070-2112 | Sparkplug, BPR4ES | 37 | 2 | 610-80 | Brake Disc #50-2x13T |
| 3 | 1 | 11013-2114 | Element, Air Filter - Foam | 38 | as req | 108-75 | Washer, Shim 1"idx.5x.010 - right hand disc only |
| 4 | 1 | 11013-2139 | Element, Air Filter - Paper | 39 | as req | 108-36 | Washer 1.03x1.37x.06 Zn |
| 5 | 1 | 110-13 | Key 1/4x1/4x2.25 | 40 to 41 | | | See Section 5.0 Steering & Brake System |
| 6 | 1 | 11009-2566 | Gasket, Drain Plug | 42 | 2 | 103-17 | HHCS 3/8-16x1.0 Gr5 Zn |
| 7 | | | See Section 3.0 Clutch System | 43 | 2 | 108-26 | Washer 3/8 Zn |
| 8 | 1 | 127-68 | Filter, Oil | 44 | 1 | 108-46 | Washer .40x1.37x.12 Hi-Carbon |
| 9 | 1 | 112-15 | SHCS M10x1,5x90mm | 45 | 1 | 812-29 | Cable Asm, Choke - Conq. |
| 10 | 1 | 108-54 | Lockwasher, Hi-Collar -M10 | 46 | 1 | 117-68 | Nut, Jam 3/8-24 UNF Zn |
| 11 | 1 | 112-132 | HHCS 5/16-18x3.25 Gr5 Zn | 47 | 1 | 108-32 | Lockwasher 3/8 Int. Tooth |
| 12 | 1 | 103-38 | HHCS 5/16-18x1.25 Gr5 Zn | 48 | 1 | 603-29 | Guard, Belt Protect |
| 13 | 1 | 117-21 | Locknut, Nylon 5/16-18 Zn | 49 | 1 | 601-92 | Vinyl Trim - 1.5" |
| 14 | 2 | 108-71 | Spacer-5/16 IDx7/16 OD x 13/32 Lg | 50 | 1 | 601-93 | Vinyl Trim - 4.25" |
| 15 | 2 | 108-18 | Washer .40x1.37x.12 Zn | 51 | 2 | 103-55 | HHCS 5/16-18x2.75 Gr5 Zn |
| 16 | 4 | 112-30 | SHCS M8x1,25x20mm Zn | 52 | 1 | 612-101 | Cable Asm, Throttle |
| 17 | 4 | 108-05 | Lockwasher 5/16 Zn | 53 | 1 | 610-81 | Shift Gate, Transmission |
| 18 | 2 | 811-14 | Spacer | 54 | 2 | 112-01 | HHCS 5/16-8x3/4 Gr5 Zn |
| 19 | | | See Section 2.0 Intake & Exhaust System | 55 | 1 | 127-11 | Spring, Extension |
| 20 | 1 | 112-57 | HHCS 5/8-11x10.0 Gr5 Zn | 56 | 4 | 103-41 | SHCS 3/8-16x1.25 Zn |
| 21 | 3 | 117-83 | Locknut, Stover 5/8-11 Zn | 57 | 4 | 108-23 | Washer 3/8 SAE Gr8-Dich. |
| 22 | 3 | 811-09 | Washer, Square - .64 ID | 58 | 1 | 601-86 | Clip, Retainer |
| 23 | 10 | 108-24 | Washer .34 x .70 x .06 Zn | 59 | 1 | 100-64 | Tie Wrap - 5.5" - Black |
| 24 | 2 | 112-58 | HHCS 5/8-11x7.5 Gr5 Zn | 60 | | | See Section 5.0 Steering & Brake System |
| 25 | 1 | 811-30 | Frame, Powerpack - Conq. | 61 | 2 | 103-18 | HHCS 3/8-24x1.25 Gr5 Zn |
| 26 | 2 | 103-20 | HHCS 1/2-13x6.5 Gr5 Zn | | | | |
| 27 | 2 | 108-07 | Lockwasher 1/2 Split Ring Zn | | | | |
| 28 | 2 | 117-06 | Nut, Fin Hex 1/2-13 Zn | | | | |
| 29 | | | See Section 1.0 Transmission | | | | |
| 30 | 2 | 811-15 | Washer, Square Lock .64ID | | | | |
| 31 | 2 | 103-53 | HHCS 3/8-16x3.0 Gr5 Full Thread | | | | |
| 32 | 1 | 103-34 | HHCS 3/8-16x1.25 Gr5 Zn | | | | |
| 33 | 3 | 108-06 | Lockwasher 3/8 Split Ring Zn | | | | |
| 34 | 1 | 125-56 | Drive Belt | | | | |
| 35 | | | See Section 3.0 Clutch System | | | | |



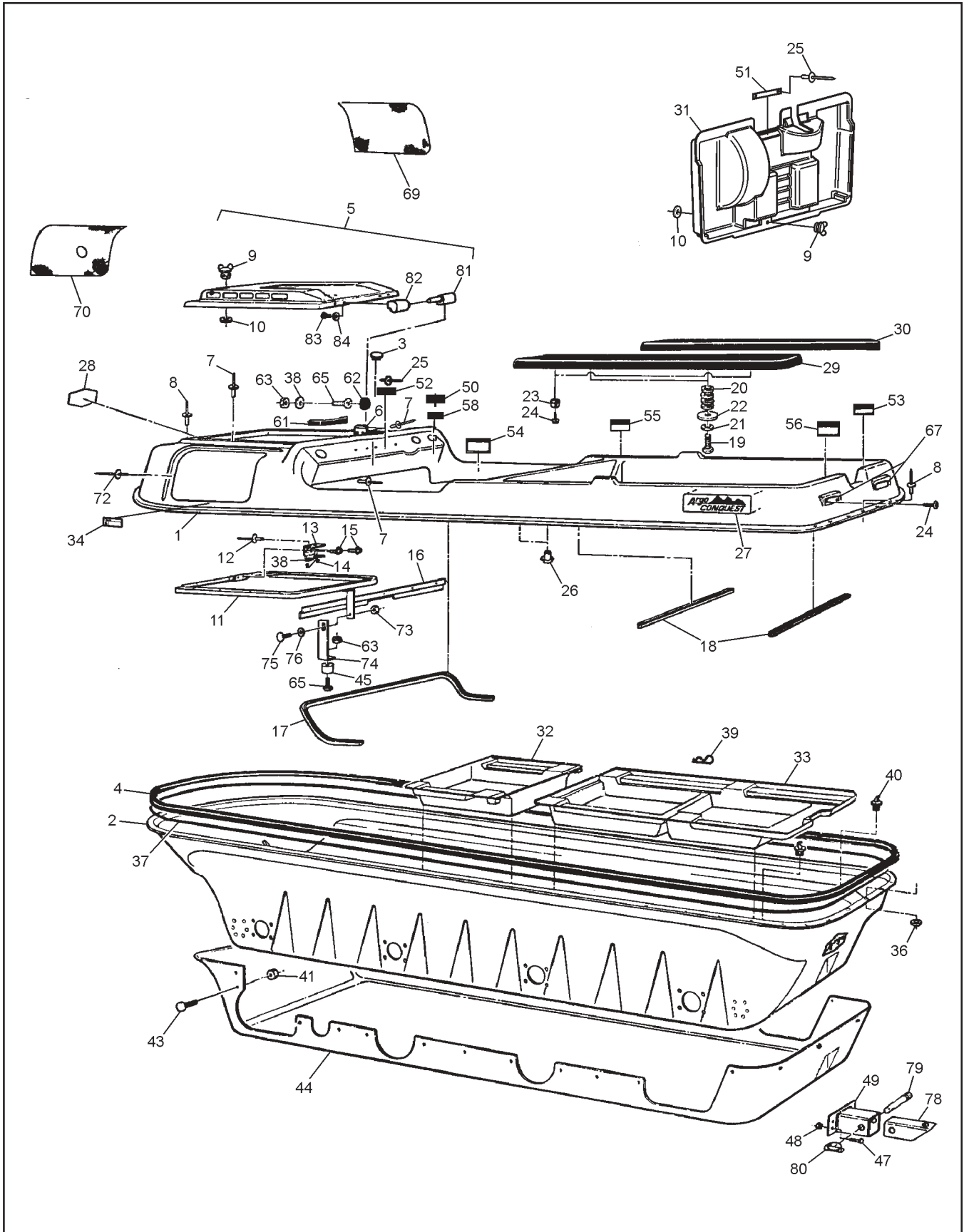
Conquest Parts Manual

5.0 Steering & Brake System

| Ref. | Qty. | Part # | Description | Ref. | Qty. | Part # | Description |
|------|------|---------|--|------|------|------------|--|
| 1 | 1 | 612-117 | Frame Assembly, Steering Column | 39 | 2x8 | 108-24 | Washer, .34x.70x.06 Zn |
| 2 | 1 | 612-107 | Handlebar Assembly | 40 | 2x1 | 168-02 | Screw, Bleeding, Knott Caliper |
| 3 | 1 | 165-08 | Master Cylinder, Grimeca - R | 41 | 2x4 | 112-154 | SHCS 5/16-18 x 2.75 Zn |
| 4 | 1 | 165-07 | Master Cylinder, Grimeca - L | 42 | 2x4 | 117-03 | Nut, Fin Hex 5/16-18 Zn |
| 5 | 1 | 612-127 | Shaft, Steering - Argo | 43 | 2x2 | 160-42 | FHMS M5 x 0,8 x 6mm |
| 6 | 2 | 104-07 | Pin, Spring 1/4 x 1.25 | 44 | 2x1 | 168-08 | Cover |
| 7 | 1 | 108-47 | Washer, .39 x .94 x .13 Zn Di-chr | 45 | 2x1 | 168-09 | Cover, Rubber |
| 8 | 1 | 117-29 | Locknut, Nylon 3/8-16 Zn | 47 | 2x1 | 162-08 | Spring, Comp. 17.3 x 49.3mm |
| 9 | 2 | 612-124 | Arm, Steering | 48 | 2x1 | | Seal, Primary, 19mm (See Ref. 55) |
| 10 | 1 | 612-106 | Clamp, Lower Handlebar | 49 | 2x1 | 168-10 | Piston 19mm dia. |
| 11 | 1 | 612-105 | Clamp, Upper Handlebar | 50 | 2x1 | | Seal, Secondary, 19mm (See Ref. 55) |
| 12 | 1 | 106-07 | Ring, Retaining SH-0075PA | 51 | 2x1 | | Boot, Rubber (See Ref. 55) |
| 14 | 2 | 105-16 | Bushing, Oilite - 3/4 x 1/2 | 52 | 2 | 112-02 | SHSS 10-24x1/4 Knurl Cup PT, PL |
| 15 | 2 | 110-17 | Key, 3/16 x 3/16 x .625 | 53 | 2x2 | 160-01 | Washer, Copper 2.3 x 10.0 x 16.0 |
| 16 | 2 | 128-10 | Retainer, Handbrake Cable | 54 | 2x1 | 160-44 | Bolt, Banjo M10 x 1,0 x 21,0 Zn |
| 17 | 4 | 112-47 | SHCS, 1/4-20 x 1.0 Zn | 55 | 2x1 | 161-25 | O-Ring Kit, Master Cylinder - Grimeca (incl. Ref. 48, 50 & 51) |
| 18 | 8 | 117-27 | Locknut, Nylon 1/4-20 Zn | 56 | 2 | 812-30 | Pin, Female |
| 19 | 2 | 103-66 | HHCS, 1/4-20 x 4.0 Gr5 Zn | 57 | 2 | 117-03 | Nut, Fin Hex 1/4-20 Zn |
| 20 | 4 | 108-08 | Washer, .28 x .62 x .04 Zn | 58 | 2 | 812-31 | Fin, Male |
| 21 | 2 | 812-17 | Collar | 59 | 2 | 160-45 | Bolt, Banjo |
| 22 | 1 | 128-17 | Lever Assembly, Handbrake, Spring | 60 | 4 | 160-04 | Washer, Copper - 2,3 x 10,0 x 16,0 |
| 23 | 1 | 128-09 | Cable Assembly, Handbrake | 61 | 2 | 103-08 | HHCS, 1/4-20 X 1.0 Zn |
| 24 | 2 | 127-35 | Grip, Molded | 62 | 1 | 21119-2157 | Igniter |
| 25 | 1 | 127-81 | Throttle Twist Grip | 63 | | 126-19 | Fluid, Brake-Silicon Dot 5 - .35L |
| 26 | 1 | 612-101 | Cable Asm., Throttle | | | | |
| 27 | 1 | 100-64 | Tie Wrap - 5.5"- Black | | | | |
| 28 | 2 | 161-05 | O-Ring Kit, Knott Caliper | | | | |
| 29 | 2 | | Seal, Piston | | | | |
| 30 | 2 | | Seal, Rubber | | | | |
| 31 | 2x1 | 168-20 | Plug, Rubber | | | | |
| 32 | 1 | 170-03 | Pad Set (4), Brake - Non-Asbestos | | | | |
| 33 | 2x2 | 168-07 | Pin, Cotter 1/8 x 3.00 Zn | | | | |
| 34 | 2x2 | 168-01 | Piston, Knott Caliper | | | | |
| 35 | 2x1 | 163-01 | Hose Asm, Hydraulic-310mm | | | | |
| 36 | 2 | 112-159 | BHCS, 1/4-20 x 1.0, Plated | | | | |
| 37 | 1 | 166-10 | Caliper, Hydraulic Brake - L, w/o pads | | | | |
| 38 | 1 | 166-11 | Caliper, Hydraulic Brake - R, w/o pads | | | | |



| Ref. | Qty. | Part # | Description |
|------|------|---------|--|
| 1 | 1 | 127-76 | Plate, Capacity-Land/Water |
| 2 | 4 | 120-24 | Rivet, Alum. 3/32x3/8 |
| 3 | 2 | 112-56 | T/S Pan HD Phil #10x3/4 A Zn |
| 4 | 1 | 848-86 | Button, Horn |
| 5 | 1 | 118-52 | Fuse, 10A 2-Prong (ATO10) |
| 6 | 1 | 848-88 | Wire Harness, Horn |
| 7 | 1 | 108-08 | Washer .28x.62x.04 Zn |
| 8 | 1 | 112-19 | Screw, IHWH T/C Slot 1/4-20x1/2 |
| 9 | 1 | 848-87 | Horn, Electric |
| 10 | 1 | 103-06 | HHCS 5/16-18x1.0 Gr5 Zn |
| 11 | 5 | 117-21 | Locknut, Nylon 5/16-18 Zn |
| 12 | 6 | 108-24 | Washer .34x.70x.06 Zn |
| 13 | 4 | 100-10 | Spring, Comp. 0.53x0.88 |
| 14 | 2 | 103-16 | HHCS 5/16-24x3.75 Gr8 Zn |
| 15 | 2 | 103-29 | HHCS 5/16-24x2.75 Gr8 Zn |
| 16 | 2 | 103-55 | HHCS 5/16-18x2.75 Gr5 Zn |
| 17 | 2 | 103-84 | HHCS 5/16-18x2.25 Gr5 Zn |
| 18 | 2 | 108-12 | Washer .34x1.00x.06 Zn |
| 19 | 4 | 109-02 | Ball, Steel 1/4 Chrome steel |
| 20 | 2 | 848-75 | Cam, Parking Brake |
| 21 | 2 | 848-77 | Spacer, Left |
| 22 | 2 | 848-78 | Spacer, Right |
| 23 | 3 | 848-79 | Caliper, Parking Brake |
| 24 | 1 | 848-80 | Caliper, Parking Brake - Notch |
| 25 | 2 | 848-82 | Bracket, Caliper |
| 26 | 1 | 848-89 | Shim |
| 27 | 2 | 848-93 | Rod |
| 28 | 2 | 848-76 | Ball Joint, 5/16-24 |
| 29 | 8 | 117-46 | Locknut, 2-Way 5/16-24 Zn |
| 30 | 2 | 117-17 | Nut, Jam 5/16-24 Zn |
| 31 | 2 | 100-03 | Pin, Cotter 3/32x.750 Zn |
| 32 | 4 | 111-07 | Pin, Roll .250 DIA. x .88 Lg. |
| 33 | 2 | 117-04 | Locknut, Nylon 5/16-24 Zn |
| 34 | 1 | 112-141 | Screw, Shoulder 5/16 x 3/8 Lg. |
| 35 | 1 | 125-88 | Spring |
| 36 | 1 | 848-92 | Shaft ASM, Left |
| 37 | 1 | 848-105 | Shaft ASM, Right Brake |
| 38 | 1 | 848-104 | Plate, Mtg - Lock Lever |
| 39 | 1 | 848-102 | Lever Asm - Lock |
| 40 | 1 | 848-100 | Lever ASM, Parking Brake |
| 41 | 1 | 639-25 | Plug, End - Black |
| 42 | 1 | 120-04 | Washer .19x.50x.08 Zn |
| 43 | 1 | 120-13 | Rivet - 3/16x5/8 Black |
| 44 | 1 | 848-81 | Clip, Coated |
| 45 | 1 | 106-21 | Retaining Ring TY-18ST PD |
| 46 | 1 | 601-86 | Clip, Retainer |
| 47 | 1 | 103-72 | Screw, IHWH T/C Slot 1/4-20x3/4 |
| 48 | 2 | 108-71 | Spacer 5/16 IDx7/16 ODx13/32 Lg. |
| 49 | 1 | 112-132 | HHCS 5/16-18x3.25 Gr5 Zn |
| 50 | 1 | 127-130 | Label Stock - 2.75" Wide |
| 51 | 1 | 127-133 | Plate, Serial Number - Blank - Must be stamped with vehicle serial # provided by owner |
| 52 | 1 | 128-01 | Duct, Brake Cooling |

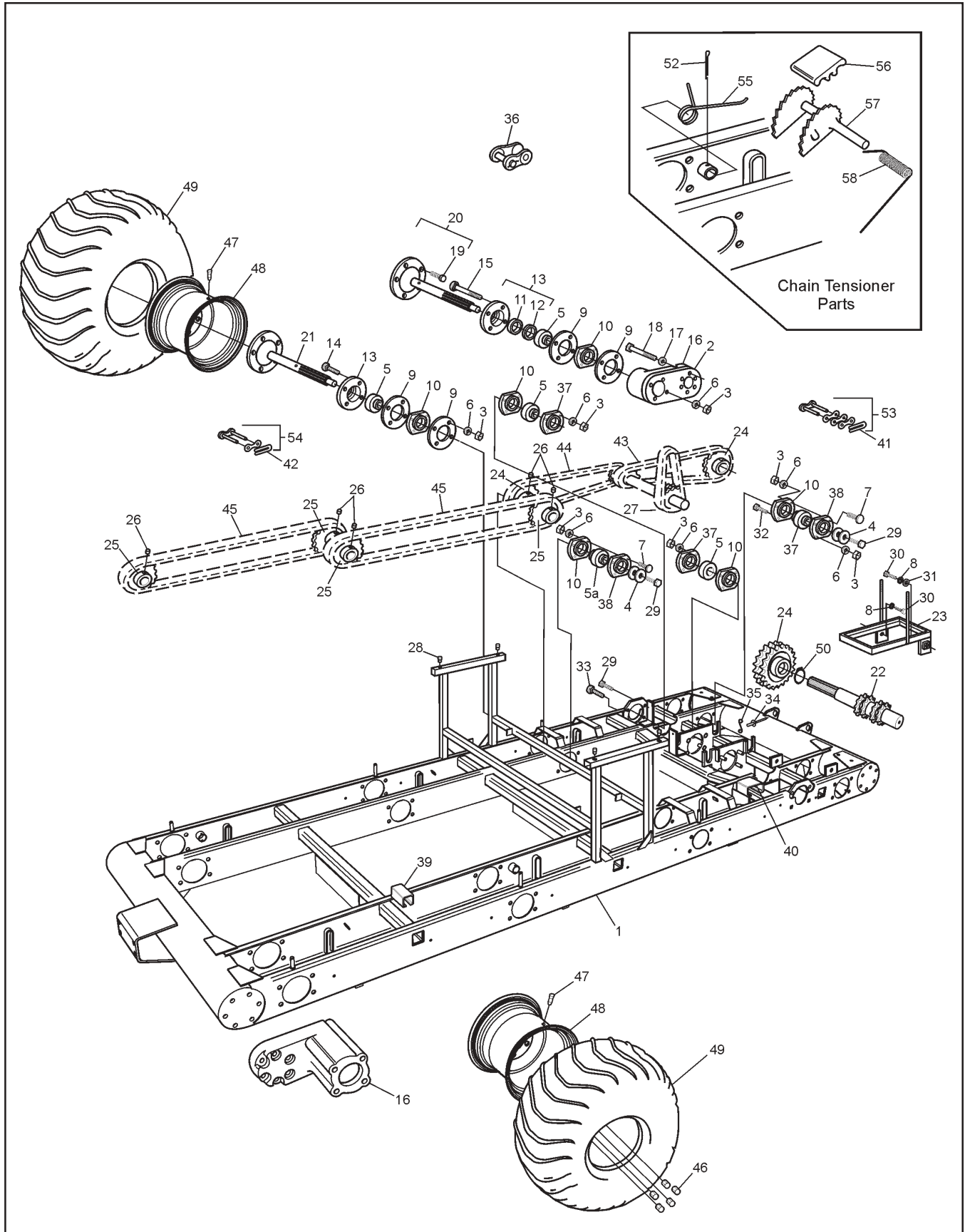


Conquest Parts Manual

7.0 Vehicle Body & Firewall

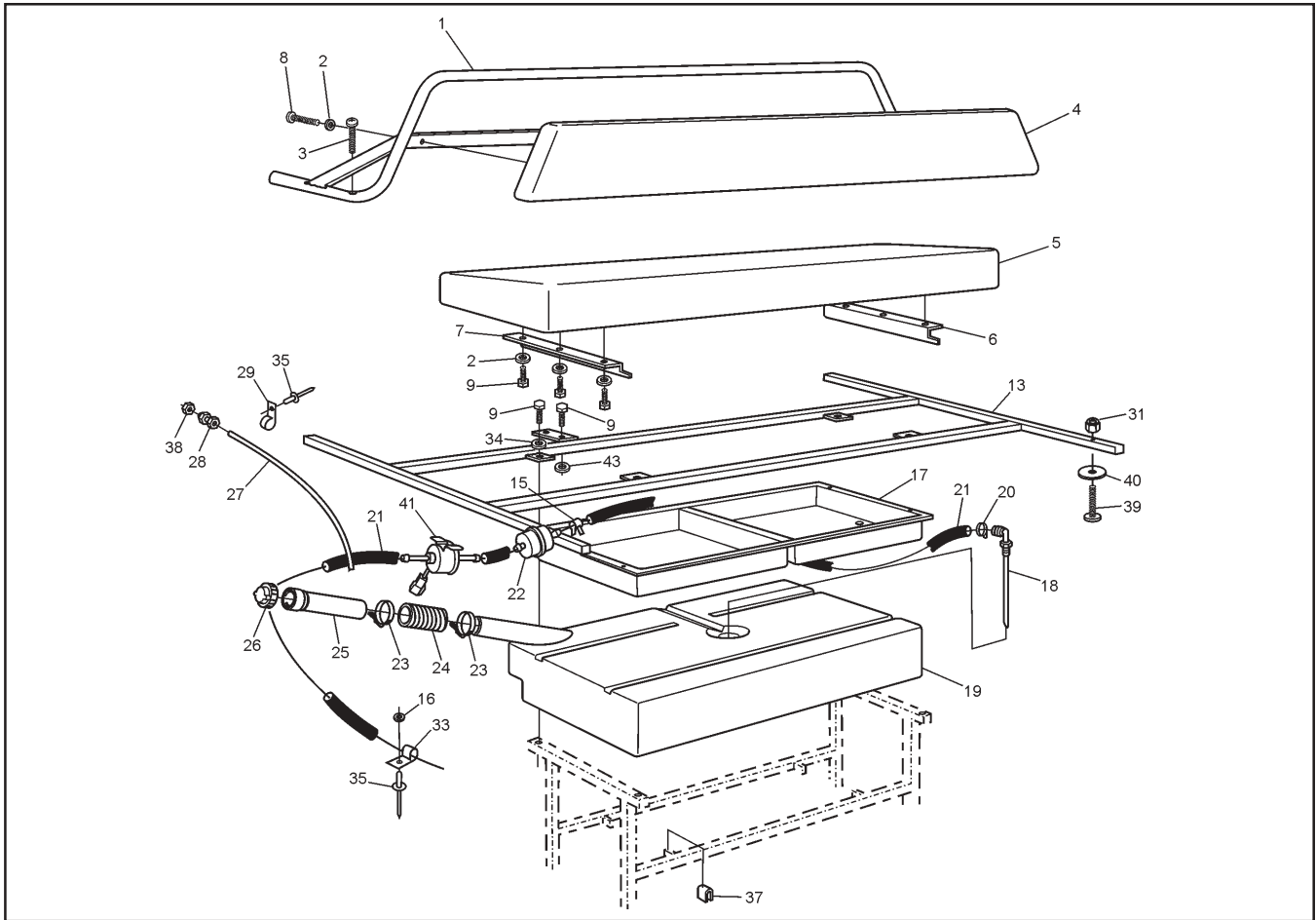
| Ref. | Qty. | Part # | Description |
|------|------|----------|--|
| 1 | 1 | 801-98 | Body & Hood, Upper - Conq, (spec. colour) (incl. Ref 5,11,12,13,14,15) |
| 2 | 1 | 801-48BL | Body, Lower - Conq, (spec. colour) |
| 3 | 1 | 127-28 | Plug, Nylon - Black |
| 4 | 1 | 801-05 | Bumper, Vinyl - 8x8 |
| 5 | 1 | 602-34 | Hood Kit - Conq, (spec. colour) (incl. 6,7,9,10,81,82,83,84) |
| 6 | 1 | 602-38 | Clip, Hood |
| 7 | 23 | 120-13 | Rivet 3/16x5/8 - Black |
| 8 | 63 | 120-09 | Rivet 3/16x1 - Black |
| 9 | 2 | 126-10 | Wing Stud |
| 10 | 2 | 126-09 | Grommet, Alum. |
| 11 | 1 | 602-24 | Frame Asm, Hood |
| 12 | 2 | 120-15 | Rivet 1/8x7/16 |
| 13 | 1 | 601-69 | Spring Plate |
| 14 | 1 | 126-11 | Spring |
| 15 | 2 | 103-72 | Screw, IHWH T/C Slot 1/4-20x3/4 |
| 16 | 1 | 602-29 | Brace, Dash |
| 17 | 1 | 601-08 | Trim, Vinyl - 84" |
| 18 | 2 | 601-09 | Trim, Vinyl - 28" |
| 19 | 4 | 112-04 | HHCS 1/4-20x3/4 Gr2 Zn |
| 20 | 16 | 108-25 | Washer .31x.75x.06 Zn |
| 21 | 4 | 108-03 | Lockwasher 1/4 |
| 22 | 4 | 801-41 | Washer, Seat |
| 23 | 4 | 126-79 | Bumper, Plastic - Black |
| 24 | 8 | 103-48 | T/S Pan HD PHIL #10x5/8 |
| 25 | 30 | 120-24 | Rivet, 3/32x3/8 Alum. (all plates) |
| 26 | 4 | 117-44 | T-Nut 1/4-20 Zn |
| 27 | 2 | 127-27 | Nameplate - Conquest |
| 28 | 1 | 601-44 | Nameplate - Argo |
| 29 | 1 | 801-03 | Seat, Rear LH - 8x8 |
| 30 | 1 | 801-02 | Seat, Rear RH - 8x8 |
| 31 | 1 | 609-41RM | Firewall - Handle Bar Steering |
| 32 | 1 | 803-02 | Floor Pan - Front - (spec. colour) |
| 33 | 1 | 803-03 | Floor Pan - Rear - (spec. colour) |
| 34 | 1 | 127-144 | Label, Warning - HOT |
| 36 | 57 | 120-04 | Washer .19x.50x.08 Zn |

| Ref. | Qty. | Part # | Description |
|------|------|---------|---------------------------------|
| 37 | 1 | 126-60 | Vinyl Strip 1/2"x1/4"x37.5' |
| 38 | 4 | 120-05 | Washer .19x.50x.04 Zn |
| 39 | 6 | 100-16 | Clip, Hitch Pin 1.625 Zn |
| 40 | 2 | 100-18 | Plug, Drain 5/8"x13/32" |
| 41 | 32 | 120-28 | Collar, Magna Grip |
| 43 | 32 | 120-27 | Pin, Magna Grip |
| 44 | 1 | 863-11 | Skid Plate, 8x8 - Black |
| 45 | 1 | 126-88 | Bumper, Rubber |
| 47 | 4 | 103-61 | HHCS 3/8-24x1.5 Gr5 Zn |
| 48 | 4 | 117-24 | Locknut, Nylon 3/8-24 Zn |
| 49 | 1 | 616-16 | Hitch Assembly |
| 50 | 1 | | Vehicle ID Plate, Alum. |
| 51 | 1 | 127-152 | Plate, Shifting |
| 52 | 1 | 127-153 | Plate, Keyswitch |
| 53 | 1 | 126-67 | Plate, Floor Pan |
| 54 | 1 | 126-68 | Plate, Operation |
| 55 | 1 | 126-69 | Plate, Fuel |
| 56 | 1 | 127-76 | Plate, Cap. Land/Water |
| 58 | 1 | | U.S. Plate, Non-U.S. Argos only |
| 61 | 1 | 125-41 | Handle, Dash (incl. 62) |
| 62 | 2 | | Plug Cap, (avail. only with 61) |
| 63 | 3 | 117-10 | Locknut, Nylon #10-24 Zn |
| 65 | 3 | 103-25 | PHMS #10-24x3/4 Zn |
| 67 | 2 | 127-01 | Reflector, Red |
| 69 | 1 | 807-73 | Screen, Intake - Conquest |
| 70 | 1 | 807-98 | Screen, Exhaust - Conquest |
| 72 | 28 | 120-11 | Rivet 5/32 x 9/16 - Black |
| 73 | 1 | 117-15 | Nut, Fin Hex 3/8-16 Zn |
| 74 | 1 | 602-27 | Support, Adjustable |
| 75 | 1 | 103-89 | C/Bolt 3/8-16x3/4 Gr2 Zn |
| 76 | 1 | 108-06 | Lockwasher 3/8 |
| 78 | 1 | 616-19 | Tube, Hitch |
| 79 | 1 | 104-13 | Pin, Top Link |
| 80 | 1 | 104-11 | Pin, Lynch |
| 81 | 2 | 127-45A | Pin, Hinge |
| 82 | 2 | 127-45B | Knuckle, Hinge |
| 83 | 8 | 103-47 | HHCS 10-24x1/2 |
| 84 | 8 | 108-59 | Lockwasher #10 Int. Tooth Zn |



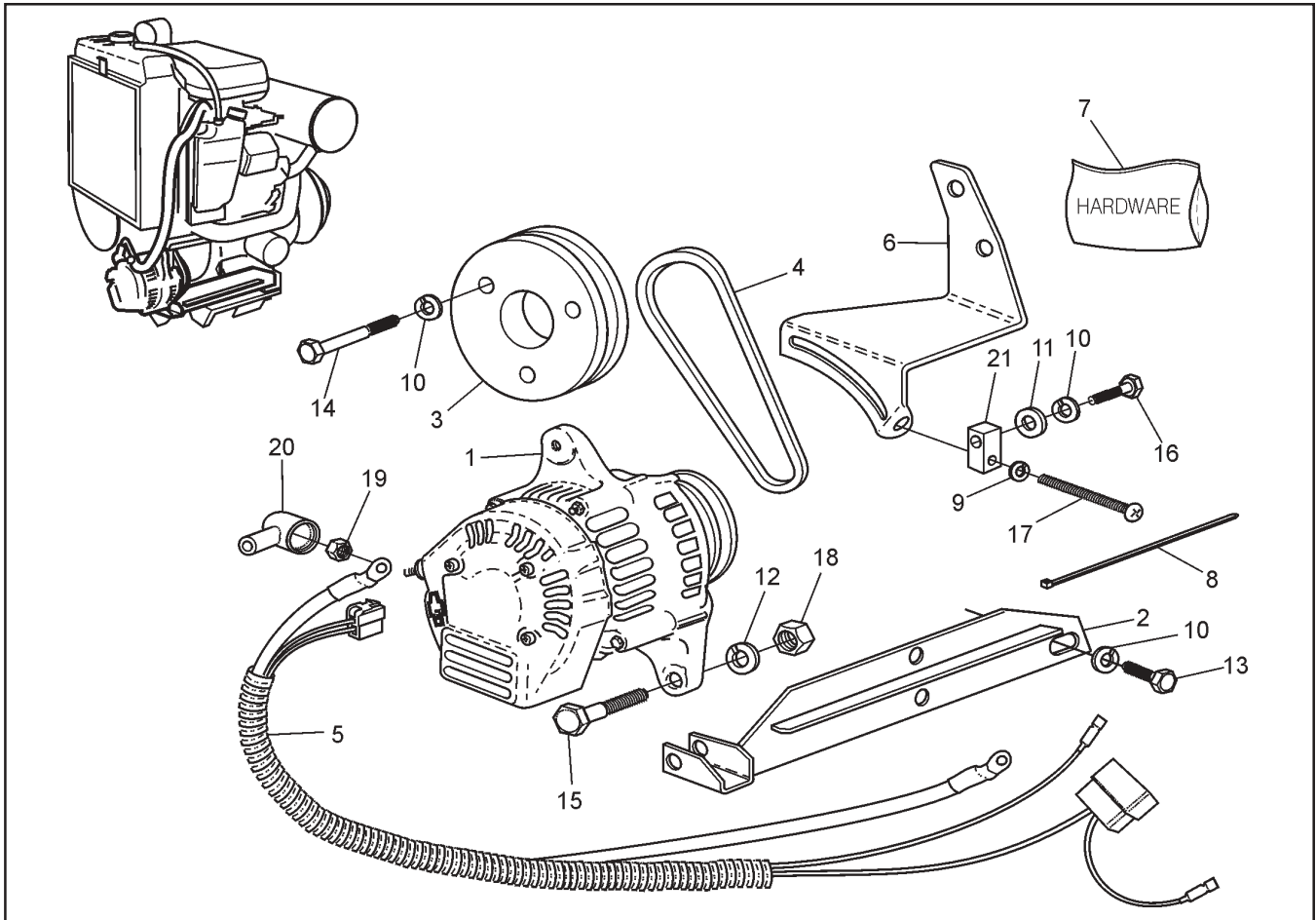
| Ref. | Qty. | Part # | Description |
|------|------|---------|---|
| 1 | 1 | 806-00 | Frame Asm - 8x8 |
| 2 | 2 | 606-24 | Gasket - Bearing Extension |
| 3 | 80 | 117-29 | Locknut, Nylon 3/8-16 Zn |
| 4 | 16 | 108-46 | Washer .40x1.37x.12 Hi-Carbon |
| 5 | 12 | 101-35 | Bearing, Ball - 1.25 |
| 5a | 8 | 101-41 | Bearing, Ball - 1.0 |
| 6 | 82 | 108-15 | Washer, .42x.81x.05 Zn |
| 7 | 30 | 103-88 | C/Bolt 3/8-16x1.0 Gr5 Zn |
| 8 | 2 | 108-06 | Lockwasher 3/8 Split Ring Zn |
| 9 | 16 | 605-89 | Gasket, Flange - Outer |
| 10 | 20 | 605-63 | Flange - 4 hole |
| 11 | 8 | 102-14 | Seal, Oil 1.25x1.75x0.188 |
| 12 | 8 | 102-15 | Seal, Oil 1.25x1.874x0.25 |
| 13 | 8 | 605-97 | Flange Asm, Outer (incl. Refs. 11 & 12) |
| 14 | 16 | 112-39 | C/Bolt 3/8-16x1.75 Gr5 Zn |
| 15 | 16 | 112-134 | C/Bolt 3/8-16 x 6 Gr2 Zn |
| 16 | 4 | 810-52 | Bearing Extension (uses Refs. 17 & 18) |
| 17 | 24 | 108-34 | Washer 7/16 SAE Zn |
| 18 | 24 | 103-81 | HHCS 7/16-20x2.5 Gr5 Zn |
| 19 | 5x8 | 103-80 | Stud, Wheel 7/16-20x1.125 #B271 |
| 20 | 4 | 810-73 | Axle Asm - Front/Rear (incl. Ref. 19) |
| 21 | 4 | 810-75 | Axle Asm - Mid (incl. Ref. 19) |
| 22 | 2 | 810-32 | Shaft, Idler - 11T |
| 23 | 1 | 604-84 | Frame Asm, Battery |
| 24 | 6 | 810-28 | Sprocket, Double - 24T |
| 25 | 8 | 606-34 | Sprocket, S60x19T |
| 26 | 10 | 112-03 | SHSS 5/16-18x3/8 1/2 DOG, PL |
| 27 | 2 | 803-17 | Chain, Idler RC50-2x40P (incl. Ref. 53) |
| 28 | 4 | 117-64 | Insert, 1/4-20 |
| 29 | 12 | 112-31 | HHCS 3/8-16x1.0 2B Gr8 Zn |
| 30 | 2 | 112-14 | HHCS 3/8-16x.75 Gr5 Zn |
| 31 | 1 | 108-15 | Washer 3/8 SAE Zn |
| 32 | 2 | 103-82 | HHCS 3/8-16x1.5 Gr5 Zn |
| 33 | 4 | 112-61 | C/Bolt 3/8-16 x 1.25 Gr5 Zn |
| 34 | 2 | 120-15 | Rivet 1/8x7/16 |
| 35 | 1 | 126-11 | Spring |
| 36 | | 127-80 | Link, Half - RC60 - 1 (opt.) |
| 37 | 4 | 101-80 | Flange, Greaseable - 90 Degree |
| 38 | 8 | 101-20 | Flange, Greaseable - 4 hole |
| 39 | 4 | 606-42 | Slide, Chain - 1.25" |
| 40 | 2 | 606-41 | Slide, Chain - 2" |
| 41 | | 603-95 | Spring Clip - RC 50 Closed |
| 42 | | 603-96 | Spring Clip - RC 60 Closed |
| 43 | 2 | 603-17 | Chain, RC50-2 x 42P-Front (incl. Ref. 53) |
| 44 | 2 | 603-20 | Chain, RC50-2 x 70P-Mid (incl. Ref. 53) |
| 45 | 4 | 603-93 | Chain, RC60-1 x 84P-Rear (incl. Ref. 54) |
| 46 | 5x8 | 117-35 | Nut, Wheel 7/16-20 Zn |
| 47 | 8 | 125-26 | Valve, Tire |
| 48 | 8 | 125-13C | Rim - Charcoal |
| 49 | 8 | 126-96 | Tire, Goodyear Runamuk 22x10-8 |
| 50 | 2 | 107-10 | Retaining Ring, Sh-0125-PA |
| 52 | 6 | 100-01 | Pin, Cotter 1/8x1.50 Zn |
| 53 | 1x6 | 100-96 | Con. Link, RC50-2 H.D. |
| 54 | 1x4 | 603-84 | Con. Link, RC60-1 H.D. |
| 55 | 6 | 127-65 | Spring Torsion - 1.16x0.35 |
| 56 | 6 | 606-39 | Slider Block -1/2" Shaft |
| 57 | 6 | 606-35 | Tensioner Asm, Chain |
| 58 | 6 | 127-64 | Spring, Torsion - .76x1.9 |

9.0 Fuel System & Seat Assembly Conquest Parts Manual



| Ref. | Qty. | Part # | Description |
|------|------|--------|---------------------------------------|
| 1 | 1 | 803-50 | Handrail Assembly |
| 2 | 10 | 108-03 | Lockwasher, Split Ring 1/4" |
| 3 | 2 | 112-41 | PHMS, Phil 1/4-20x1.25 Zn |
| 4 | 1 | 608-39 | Back Pad Asm |
| 5 | 1 | 608-43 | Seat, Bench |
| 6 | 1 | 608-30 | Angle, Left |
| 7 | 1 | 608-31 | Angle, Right |
| 8 | 4 | 103-03 | PHMS, Phil 1/4-20x1.50 Zn |
| 9 | 12 | 112-04 | HHCS 1/4-20x3/4 Gr2 Zn |
| 13 | 1 | 804-17 | Frame Asm, Seat |
| 15 | 2 | 112-78 | Clamp, Hose, 9/16" - Black |
| 16 | 2 | 120-04 | Washer .19x.50x.08 Zn |
| 17 | 1 | 608-32 | Tool Box |
| 18 | 1 | 608-28 | Pickup Assembly, Fuel (See Ref. 19) |
| 19 | 1 | 608-24 | Tank, Fuel - 32 litre (incl. Ref. 18) |
| 20 | 4 | 112-79 | Clamp, Hose, 1/2" - Black |
| 21 | 1 | 608-42 | Fuel Hose - 110" |
| 22 | 1 | 125-64 | Fuel Filter |
| 23 | 2 | 100-12 | Clamp, Gear 2.25" HF-36 |

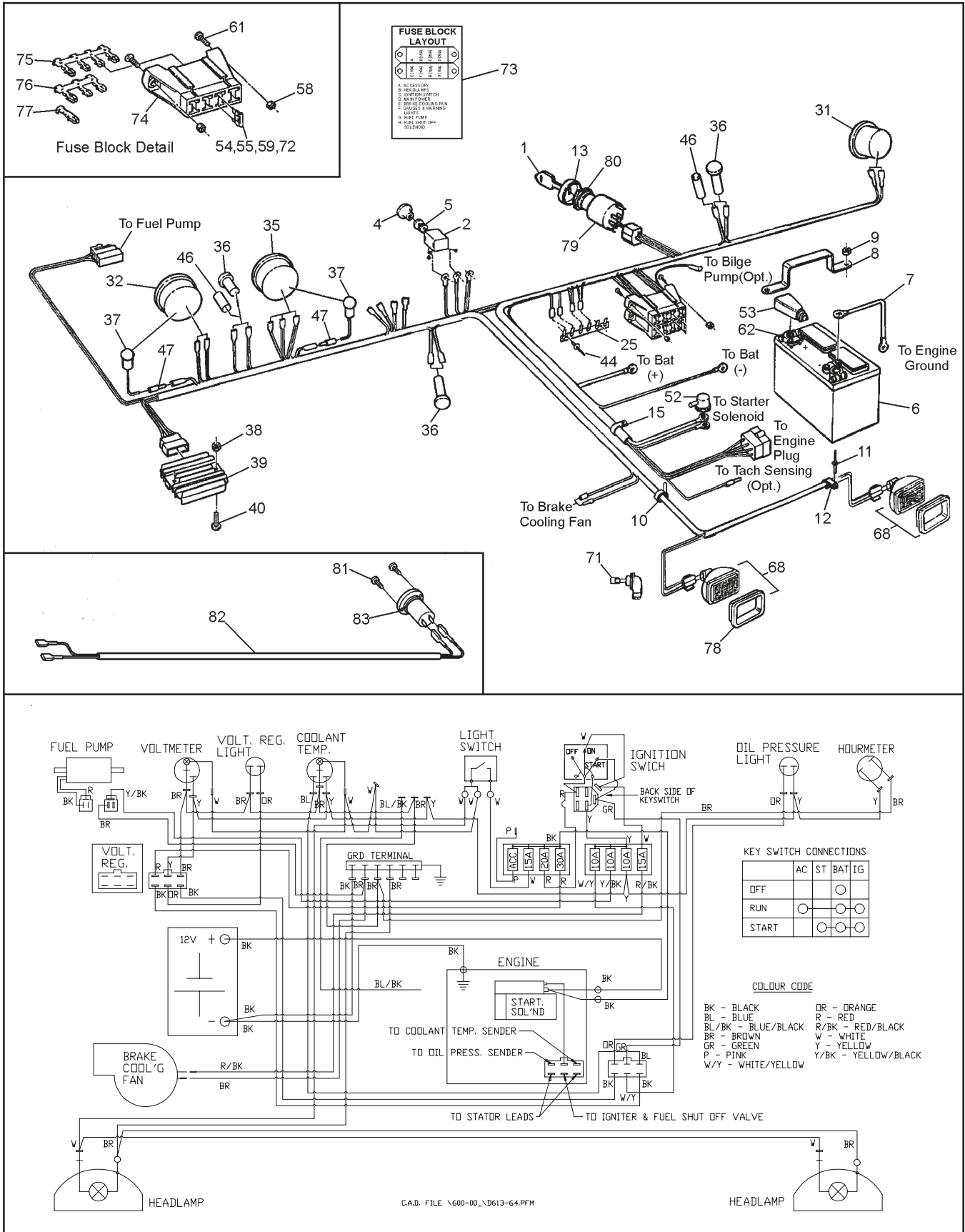
| Ref. | Qty. | Part # | Description |
|------|------|------------|----------------------------|
| 24 | 1 | 125-94 | Hose, Filler |
| 25 | 1 | 126-47 | Neck Asm, Fuel |
| 26 | 1 | 126-46 | Cap, Fuel |
| 27 | 1 | 127-21 | Hose, Vent - 86" |
| 28 | 1 | 126-50 | Male Connector, 1/4" |
| 29 | 6 | 126-94 | Clamp, Nylon Wire - 1/4"ID |
| 31 | 12 | 117-10 | Locknut, Nylon #10-24 Zn |
| 33 | 3 | 126-93 | Clamp, Nylon Wire - 1/2"ID |
| 34 | 4 | 108-08 | Washer .28x.62x.04 Zn |
| 35 | 8 | 120-09 | Rivet 3/16x1 - Black |
| 37 | 4 | 702-06 | Foam Cushion |
| 38 | 1 | 117-54 | Nut, Locking PAL 1/2-20 Zn |
| 39 | 12 | 112-07 | RHMS 10-24x1.5 Zn |
| 40 | 12 | 108-42 | Washer .21x1.0x.06 Zn |
| 41 | 1 | 49040-2065 | Pump, Fuel |
| 43 | 2 | 117-27 | Locknut, Nylon 1/4-20 Zn |



| Ref. | Qty. | Part # | Description |
|------|------|------------------|-----------------------------------|
| 1 | 1 | 850-41 | Alternator - 40 amp |
| 2 | 1 | 850-42 | Bottom Bracket |
| 3 | 1 | 850-44 | Pulley |
| 4 | 1 | 850-45 | V-Belt, 3/8" x 19" |
| 5 | 1 | 850-46 | Wire Harness |
| 6 | 1 | 850-53 | Top Bracket |
| 7 | 1 | 850-40HDW | Hardware Kit comprised of: |
| 8 | 2 | 100-64 | Tie Wrap - 5.5" - Black |
| 9 | 1 | 108-03 | Lockwasher 1/4" Split-ring Zn |
| 10 | 9 | 108-05 | Lockwasher 5/16" Split-ring Zn |
| 11 | 1 | 108-24 | Flat Washer .34 x .70 x .06 Zn |
| 12 | 1 | 108-27 | Lockwasher 7/16" Split-ring Zn |
| 13 | 2 | 112-20 | HHCS M8 x 1.25 x 25mm |
| 14 | 3 | 112-21 | HHCS M8 x 1.25 x 60mm Zn |
| 15 | 1 | 112-22 | HHCS M10 x 1.50 x 50mm Zn |
| 16 | 1 | 112-63 | HHCS M8 x 1.25 x 35mm Gr 5 Zn |
| 17 | 1 | 112-65 | RHMS 1/4 - 20 x 3" Phil Zn |
| 18 | 1 | 117-62 | Nut, Hex M10 x 1.50 Zn |
| 19 | 1 | 117-63 | Nut, Hex M6 x 1.0 Zn |
| 20 | 1 | 613-45 | Insulator, Terminal (6ga.) |
| 21 | 1 | 850-52 | Block, Adjuster |

11.0 Electrical System

Conquest Parts Manual



| Ref. | Qty. | Part # | Description |
|------|------|------------|--|
| 1 | 2 | 127-108 | Key, Molded |
| 2 | 1 | 100-62 | Switch, Light |
| 3 | 1 | 613-64 | Wire Harness - Conquest (incl. Fuse Holders) |
| 4 | 1 | 126-76 | Knob, Light |
| 5 | 1 | 108-55 | Lockwasher 7/16 External Tooth |
| 6 | 1 | 127-54 | Battery, Exide 45-60 |
| 7 | 1 | 613-14 | Wire, Ground - 14" |
| 8 | 1 | 604-52 | Bracket, Battery Retaining |
| 9 | 2 | 117-21 | Locknut, Nylon 5/16-18 Zn |
| 10 | 8 | 100-64 | Tie Wrap, 5.5" - Black |
| 11 | 6 | 120-13 | Rivet 3/16x5/8 - Black |
| 11a | 10 | 120-09 | Rivet 3/16x1 - Black |
| 12 | 16 | 126-93 | Clamp, Nylon Wire-1/2" ID |
| 13 | 1 | 127-107 | Cover, Nut |
| 15 | 5 | 127-24 | Clamp, Nylon - 1" ID |
| 25 | 1 | 613-37 | Terminal Strip, Ground |
| 31 | 1 | 632-15 | Hourmeter |
| 32 | 1 | 633-10 | Voltmeter |
| 35 | 1 | 634-22 | Gauge, Water Temperature |
| 36 | 3 | 634-08 | Light, Indicator |
| 37 | 2 | 634-10 | Light Kit, #06215-00 |
| 38 | 2 | 117-27 | Locknut, Nylon 1/4-20 Zn |
| 39 | 1 | 21066-2070 | Regulator, Voltage |
| 40 | 2 | 103-63 | PHMS, PHIL 1/4-20x1.0 Zn |
| 44 | 2 | 120-15 | Rivet 1/8x7/16 |
| 46 | 2 | 118-48 | Heat Shrink, 2 x 1/2 |
| 47 | 2 | 118-02 | Terminal, Male #76-1251 |
| 52 | 1 | 613-46 | Terminal Insulator (2 ga.) |
| 53 | 1 | 127-55 | Cap, Battery Terminal |
| 54 | 1 | 118-53 | Fuse, 20A 2 prong (AT020) |
| 55 | 2 | 118-49 | Fuse, 15A 2 prong (AT015) |
| 58 | 4 | 117-10 | Locknut, Nylon #10-24 Zn |
| 59 | 3 | 118-52 | Fuse, 10A 2 prong (AT010) |
| 61 | 4 | 103-25 | PHMS #10-24x3/4 Zn |
| 62 | 2 | 127-56 | Terminal, Battery Post |
| 68 | 2 | 613-62 | Headlamp Asm (incl. Refs. 71 & 78) |
| 71 | 2 | 127-46 | Bulb, Headlight - Halogen |
| 72 | 1 | 118-51 | Fuse, 30A 2 prong (AT030) |
| 73 | 1 | 127-126 | Label, Fuse Panel - Kawasaki (located on Guard, Belt Protect - see pg.7) |
| 74 | 2 | 118-60 | Block - Fuse, 8 position (4 fuse) |
| 75 | 1 | 118-61 | Terminal - Fuse, quad |
| 76 | 1 | 118-63 | Terminal - Fuse, triple |
| 77 | 9 | 118-62 | Terminal - Fuse, single |
| 78 | 2 | 613-62RB | Bezel, Rubber Headlamp |
| 79 | 1 | 127-105 | Switch, Ignition |
| 80 | 1 | 127-106 | Nut, flanged, plastic |
| 81 | 3 | 112-139 | #4 Phil Drive Oval Head Screw, Black |
| 82 | 1 | 613-91 | Wire Harness, 12V Acc. Outlet |
| 83 | 1 | 613-90 | Outlet, 12VDC |

***ARGO* Products Manufactured by:**

Ontario Drive & Gear Limited

220 Bergey Court
New Hamburg, Ontario
Canada N3A 2J5
Phone: (519) 662-2840
Fax: (519) 662-2421

ODG *Dedicated to quality and performance*