

**Argo 6x6**  
*VANGUARD<sup>2</sup>*



# **ARGO**

## **VANGUARD2 PARTS MANUAL**

From Serial # ...14916

# Foreword

ODG has prepared this parts manual for the VANGUARD2 model to assist both qualified mechanics and vehicle owners in ordering correct, quality replacement ARGO parts.

Proper and regular service, and replacing old, worn or broken parts with the correct ARGO replacement parts, are both essential to prolonging the life of the ARGO. Please refer to this parts manual before ordering any replacement part.

All information contained in this VANGUARD2 Parts Manual is based on the latest product specification available at time of printing. If your VANGUARD2 differs from the specifications contained in this manual, contact Ontario Drive & Gear Limited for information.

ODG reserves the right to alter specifications on the VANGUARD2 model at any time, without obligation or prior notification.

Reproduction of the VANGUARD2 Parts Manual, in whole or in part, is prohibited without prior written permission from Ontario Drive & Gear Limited.

## Vehicle Identification

**VANGUARD2** - Serial Nos. N14916

## Explanation of Parts Manual Format

<b>Ref</b>	- Reference number between assembly diagram and component parts list
<b>Part No.</b>	- Argo replacement part number for identification and re-ordering
<b>Description</b>	- Part description for identification and re-ordering
<b>Qty</b>	- Indicates the quantity of a part used in an Assembly

# ARGO 6x6 VANGUARD 2

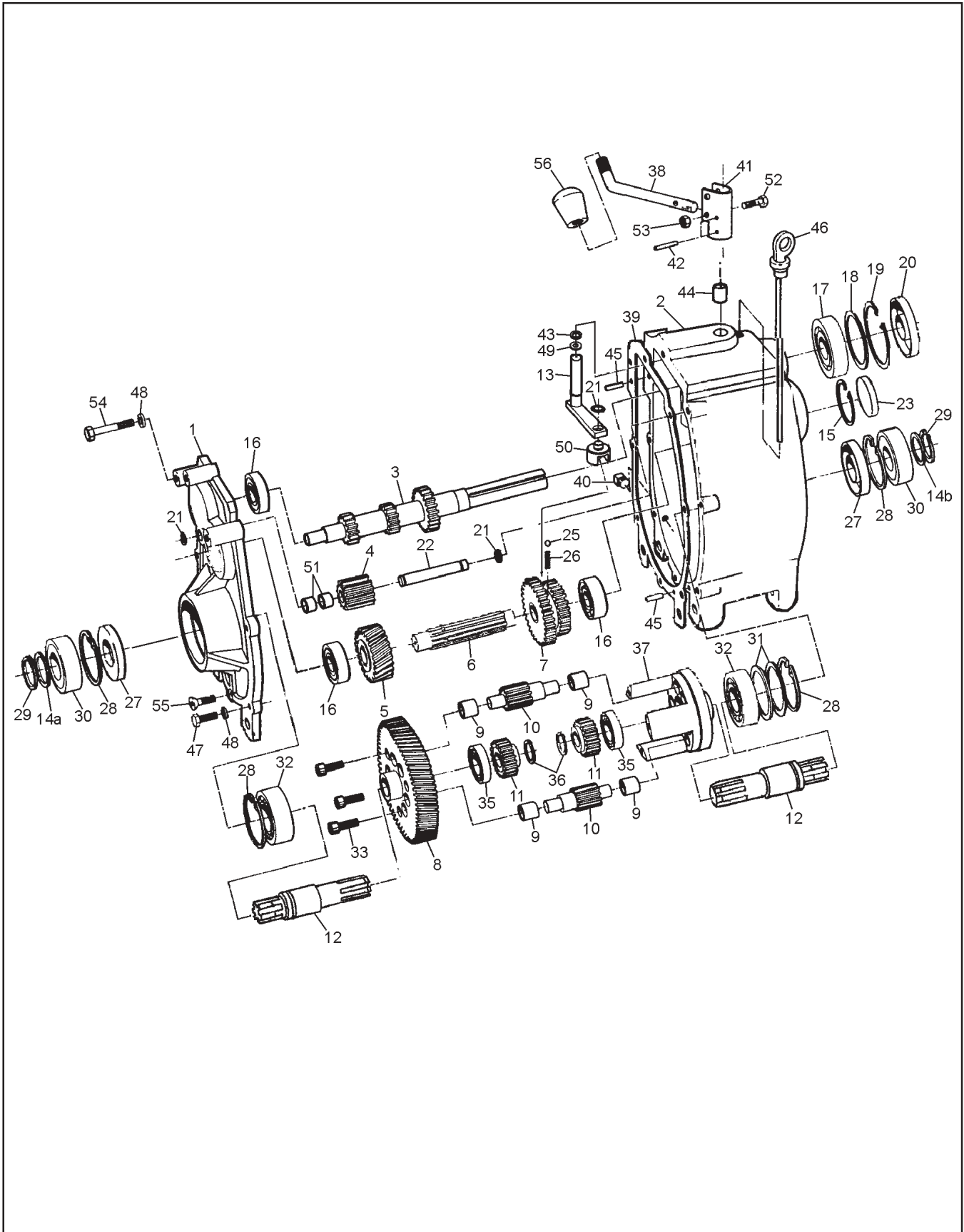


## Using the Parts Manual

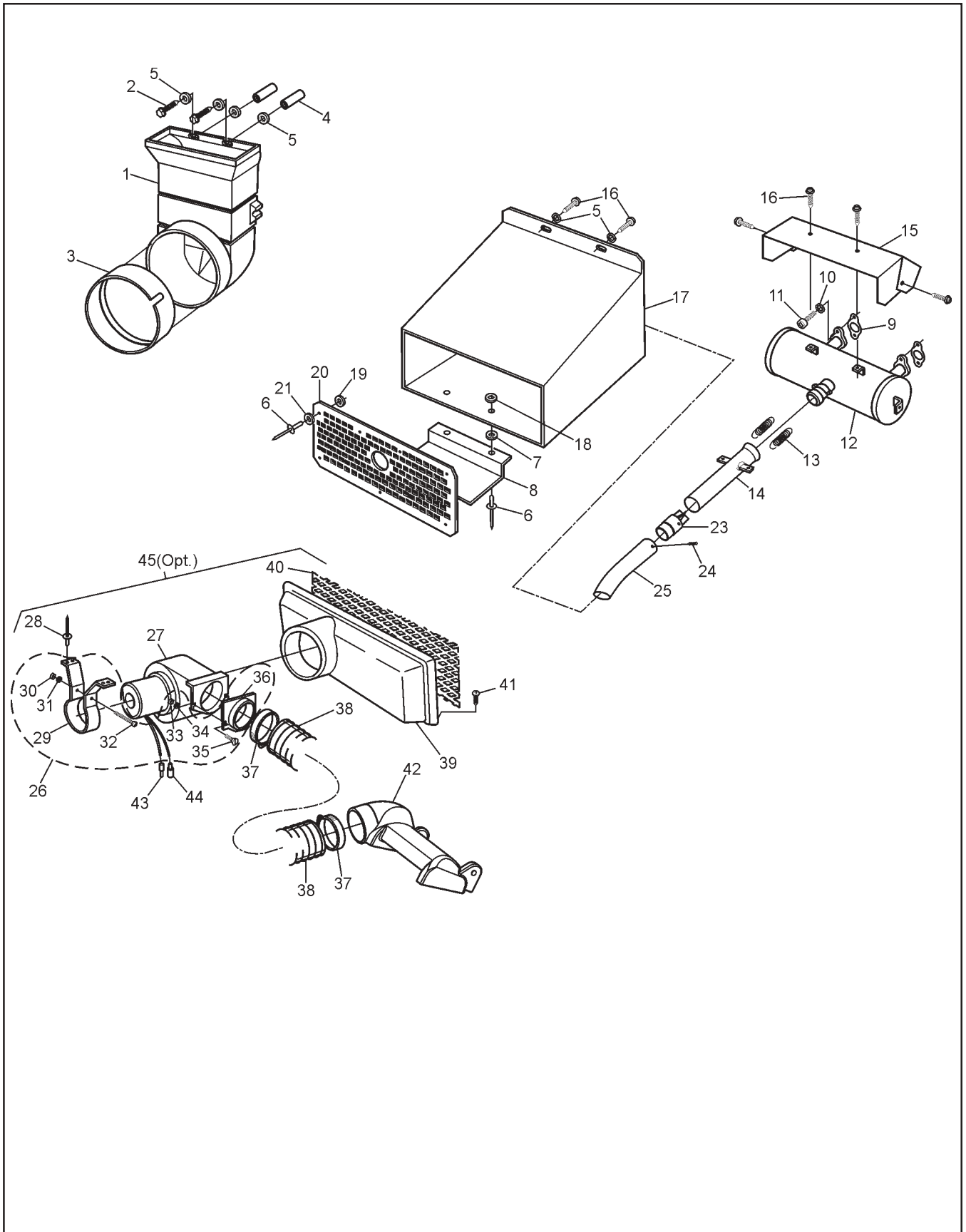
1. Find the major vehicle assembly in the Table of Contents on this page, and turn to that section.
2. Locate the part in the illustration that you wish to order.
3. Refer to the parts list in that section.
4. Find the correct part number (Part No.), part description (Description) and correct quantity (Qty).
5. Use *only* this information to order ARGO replacement parts. *DO NOT* attempt to order a replacement part by reference number or page number.

## Table of Contents

Foreword .....	i
Model Identification .....	i
Using the Parts Manual .....	ii
1.0 Transmission .....	1
2.0 Intake and Exhaust System .....	3
3.0 Clutch System .....	5
4.0 Power Pack Assembly .....	7
5.0 Steering & Brake System .....	9
6.0 CE Kit - 848-65 .....	11
7.0 Vehicle Body & Firewall .....	13
9.0 Frame & Drive System .....	15
9.0 Fuel System & Seat Assembly .....	17
10.0 Electrical System .....	19



Ref.	Qty.	Part #	Description
.		610-18H	<b>Transmission Asm - H</b> , does not include Refs 38,52,53 &56
1	1	34-68	Cover, Transmission
2	1	34-99	Housing, Transmission
3	1	34-21	Shaft, Input - 13/21T
4	1	34-16A	Gear, Idler 13 T (incl. Ref. 51)
5	1	34-96	Gear, Helical - 26T-H
6	1	34-94	Shaft, Spline
7	1	34-91	Gear, Double - 26/33T
8	1	34-43	Gear Plate - 71T-H
9	12	105-03	Bushing, Oilite 1/2 x 3/4
10	6	34-13	Gear, Planet - 12T
11	2	34-14	Gear, Sun - 21T
12	2	34-98	Shaft, Output
13	1	34-65	Shifter Asm
14a	1	114-04	Washer, Shim .040 Thk
14b	1	114-05	Washer, Shim .020 Thk
15	1	106-01	Retaining Ring
16	3	101-01	Bearing, Ball 6204Z-C3
17	1	101-16	Bearing, Ball 6206-C3
18	as req.	114-02	Washer, Shim
19	1	106-05	Retaining Ring
20	1	102-05	Seal, Oil WBS 30x62x10
21	3	107-05	Retaining Ring
22	1	34-11	Pin, Dowel 1/2 x 3.50
23	1	31-07	Plug plate
25	1	109-05	Ball, Steel 6mm 62-67 Rc
26	1	34-32	Spring, Compression - 7/32 x 0.50
27	2	102-03	Seal, Oil WBS 30x72x10
28	4	106-03	Retaining Ring
29	2	107-02	Retaining Ring
30	2	101-05	Bearing, Ball 6306-2NSE C3
31	2	114-01	Washer, Shim .020x2.25x2.81
32	2	101-03	Bearing, Ball 6207-C3
33	3	103-04	SHCS 5/16-18 x 1.00 Bare
35	2	101-15	Bearing, Ball 6005-C3
36	2	107-04	Retaining Ring
37	1	34-08	Cage
38	1	610-67	Lever, Shift
39	1	34-47	Gasket, Cover - 1/64"Thk
40	1	103-02	Plug, Magnetic 3/8 - 18 NPT Sq. Hd
41	1	34-86	Holder, Shift Lever
42	2	111-01	Pin, Slotted Spring 5/32 x 1.00
43	1	113-01	O-Ring 012-7147
44	1	105-02	Bushing, Oilite 1/2x 1.0
45	2	104-03	Pin, Dowel 1/4 x 7/8
46	1	34-77	Dipstick - with Breather
47	4	103-06	HHCS 5/16-18x1.00 GR5 Zn
48	7	108-05	Lockwasher 5/16 Zn
49	1	108-74	Washer .64 x .875 x .10 Zn
50	1	34-63	Shift Yoke
51	2	101-79	Bearing, Drawn Cup Needle
52	1	103-97	HHCS1/4-20x1.25 GR5 Zn
53	1	117-27	Locknut, Nylon 1/4-20 Zn
54			<b>See Section 4.0 Power Pack Assembly</b>
55	1	103-95	FHSC 5/16-18x1.0 GR8 Zn
56	1	126-38	Knob, Shift

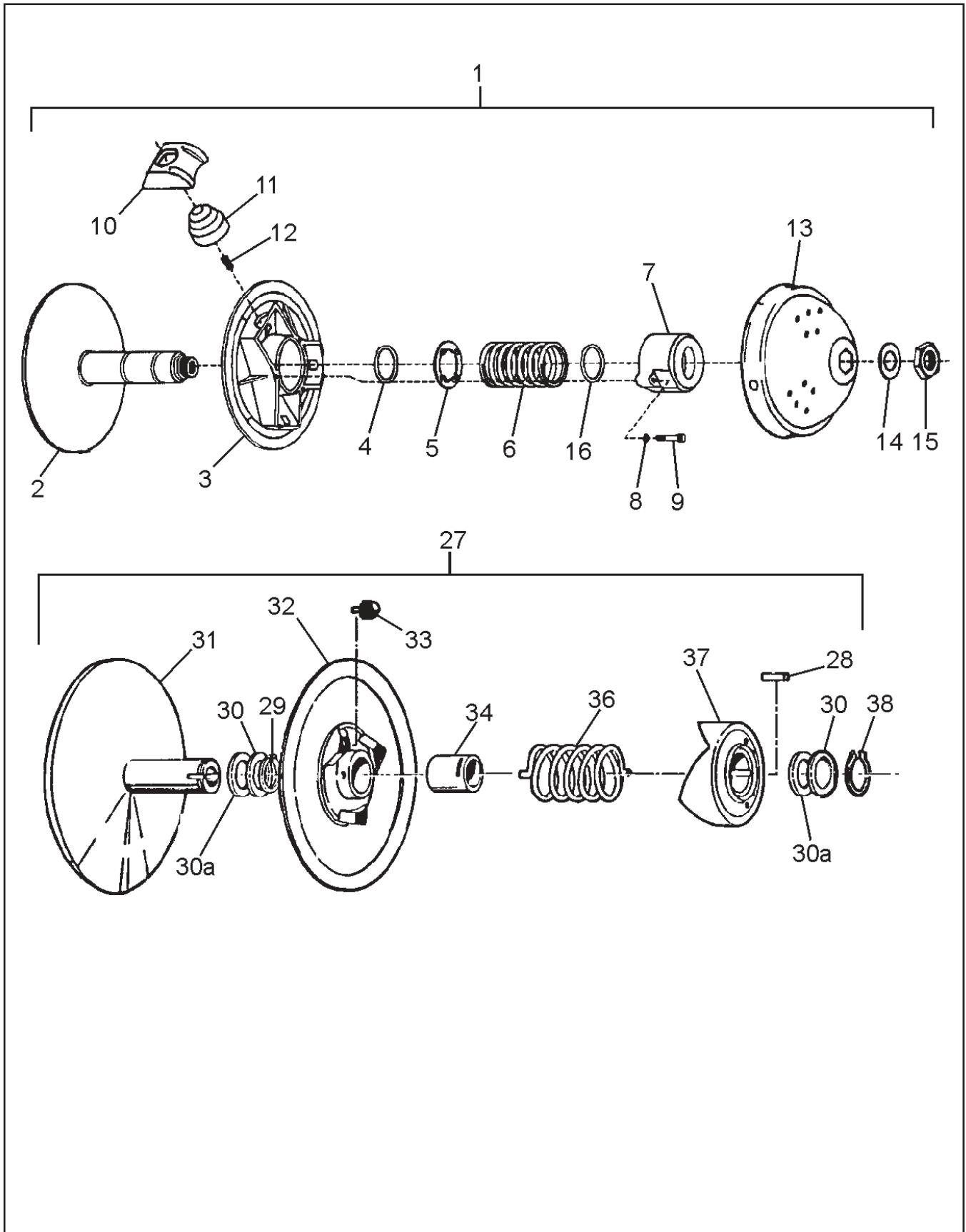


# Vanguard2 Parts Manual 2.0 Intake and Exhaust System

Ref.	Qty.	Part #	Description
1	1	603-81	Duct, Intake
2	2	112-48	Screw, T/S HH#14x2.25 Zn
3	1	603-82	Seal
4	2	120-29	Spacer, .26 ID x 1.12 LG
5	6	108-08	Washer, .28 x .62 x .04 Zn
6	9	120-13	Rivet 3/16 x 5/8 - Black
7	2	125-58	Washer, Fibre - W-77F
8	1	707-28	Support, Exhaust Duct
9	2	805024	Gasket
10	4	108-02	Lockwasher 5/16 Hi-Collar Bare
11	4	112-30	SHCS M8x1,25x20mm Zn
12	1	807-90	Muffler, B&S V-Twin Weld Ass'y
13	2	126-57	Spring, Extension- 7/16x2.14
14	1	807-92	Pipe, Mufflertail - B&S
15	1	807-85	Shield, Muffler Heat
16	6	112-19	Screw, IHWH T/C Slot 1/4-20x1/2
17	1	707-32	Duct, Exhaust
18	2	120-04	Washer .19x.50x.08 Zn
19	7	120-05	Washer .19x.50x.04 Zn
20	1	707-31P	Screen, Exhaust
21	7	125-59	Washer, Fibre -.062x.25x.50
23	1	807-67	Spark Arrester
24	1	112-43	Screw, IHWH #8x3/8
25	1	807-89	Tube, Tailpipe Outlet
26	1	125-92	Adpt. & Mounting Kit - Fan (incl. Refs 29 to 36)
27	1	125-91	Blower Fan
28	4	120-13	Rivet 3/16x5/8 - Black
29	1		Mounting Bracket
30	1		Nut, #10-32
31	1	See	Lockwasher, 3/16"
32	1	125-92	Screw, #10-32 x 2"
33	2	Above	Nut, 1/4-20
34	2		Lockwasher, 1/4"
35	2		Screw, 1/4-20 x 5/8"
36	1		Adaptor, 3" Dia.
37	2	125-35	Clamp, Gear 3.50" HF-52
38	1	127-44	Hose, Intake 3" dia. x 46"
39	1	601-89	Intake Flange (specify colour)
40	1	126-61	Intake Screen
41	4	112-56	Pan HD Phil T/S #10x3/4 A Zn
42	1	128-01	Duct, Brake Cooling
43	1	118-02	Terminal, Male #76-1251
44	1	118-03	Terminal, Female#76-1289
45	1	668-03	Brake Cooling Kit-Van2

# 3.0 Clutch System

# Vanguard2 Parts Manual

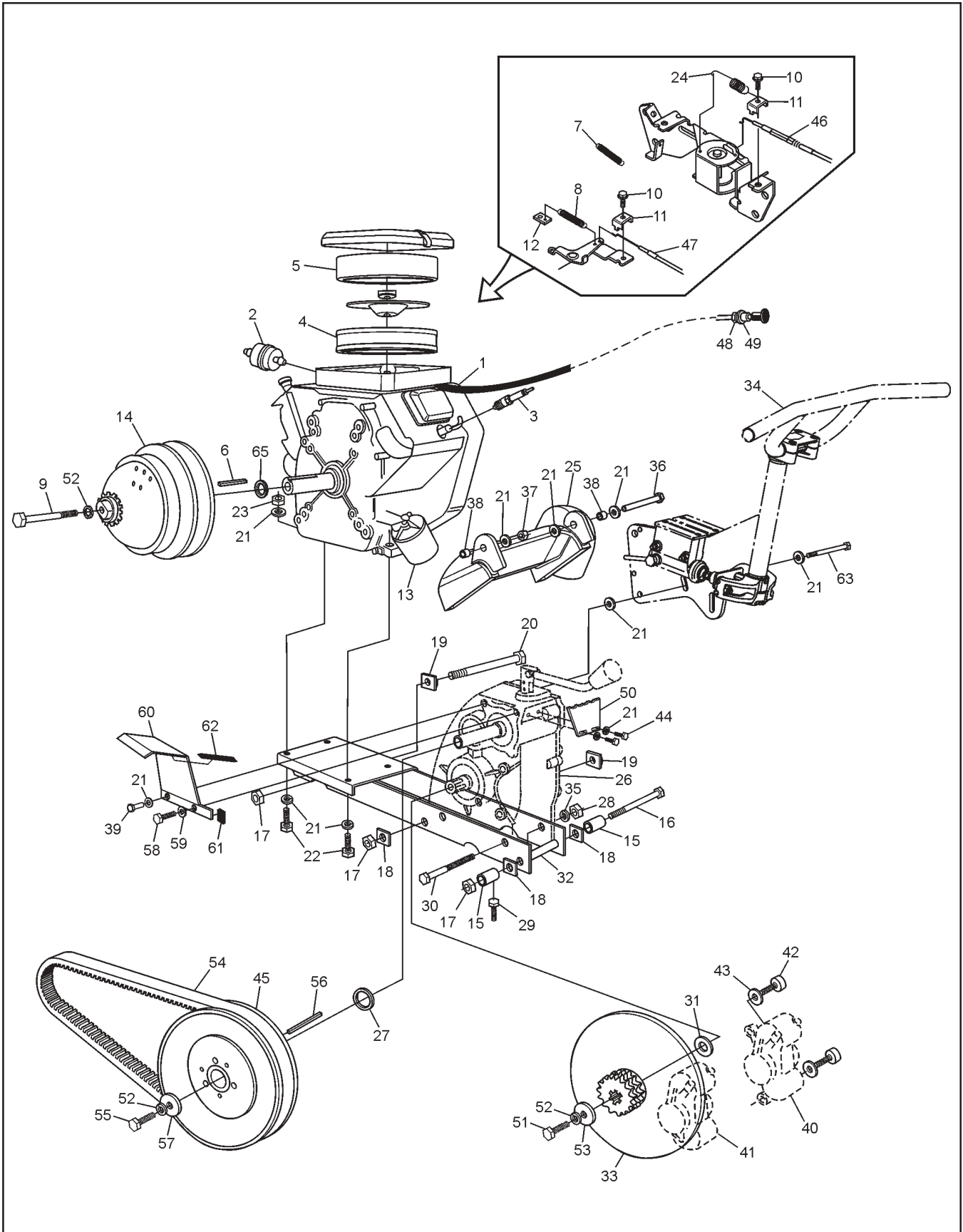




Ref.	Qty.	Part #	Description
1	1	127-72	Clutch, Driver, keyed incl Refs. 2 to 15, 0400-0028
2	1	0405-0021	Pulley, Half - Fixed
3	1	0410-0007	Pulley, Half - Sliding
4	1	V08	Ring, Retaining D1400-350
5	1	V09	Plate, Spring Guide
6	1	V10-48-103-18	Spring
7	1	0440-0001	Cover, Spring
8	3	420-2453-700	Lockwasher
9	3	222-9640-66	SHCS
10	3	0130-3002	Block, Red
11	3	C13-200	Slug, Lead 200g
12	3	C24-L1	Spring, Anti-Noise
13	1	0115-0015(B)	Cap
14	1	0080-0153	Washer
15	1	0080-0100	Nut
16	1	V08C	Ring, Retaining
27	1	127-129	Clutch, Driven Model "B" SODB0001 (incl. Refs. 28 to 37)
28	1	ASK-5	Key 1/4 x 1/4 x 3/4
29	1	ASR-6	Retaining Ring N1400-150
30	as req	ASA-1	Spacer .050" Thick
30a	as req	ASA-1-S	Spacer .025" Thick
31	1	AFK25.4-250OD01	Pulley, Half - Fixed
32	1	AMC-2- 250OD01	Pulley, Half - Sliding incl. Refs. 33 & 34
33	3	ANS-2-T	Shoe, Cam
34	1	5040-3003	Bushing, Super Oilite
36	1	ACS-3-188	Spring, Blue
37	1	AFC-4- C3D4	Cam
38	1	371-9031-000	Retaining Ring

# 4.0 Power Pack Assembly

# Vanguard2 Parts Manual



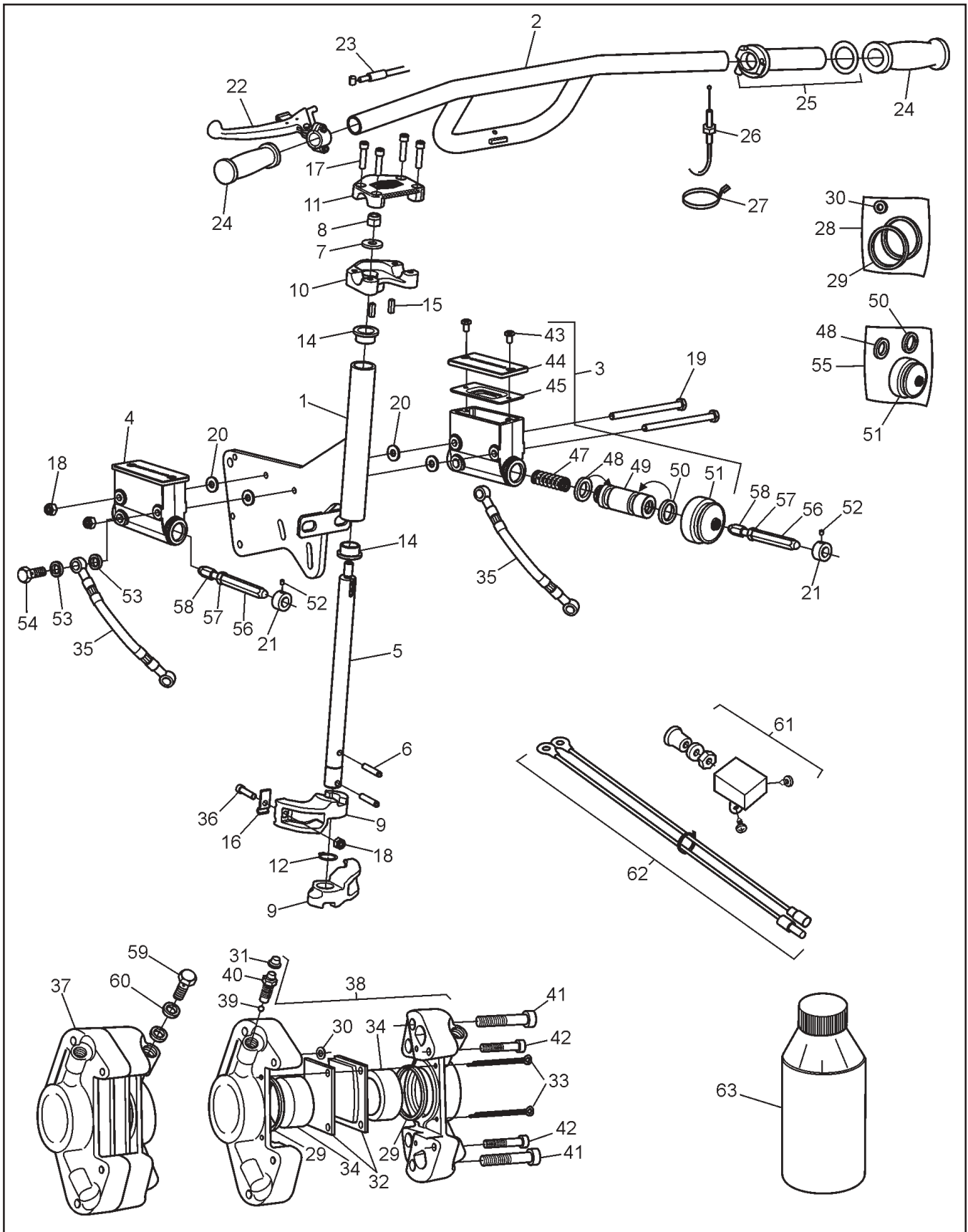
# Vanguard2 Parts Manual

# 4.0 Power Pack Assembly

Ref.	Qty.	Part #	Description	Ref.	Qty.	Part #	Description
1	1	126-52	Engine-Vanguard 16HP incl Refs 2-12, 13 B&S #3034471406E1,24	38	2	108-71	Spacer, 5/16 ID x 7/16 OD x 13/32 Lg
2	1	125-64	Fuel Filter, G81-4	39	1	103-38	HHCS 5/16-18 x 1.25 Gr5 Zn
3	2	126-74	Spark Plug #3926	40to41			<b>See Section 5.0 Steering &amp; Brake System</b>
4	1	394018	Filter, Air	42	4	103-41	SHCS 3/8-16 x 1.25 Zn
5	1	272490	Element, Foam	43	4	108-23	Washer 3/8 SAE Gr8 - Dich.
6	1	110-03	Key 1/4x3/16x2.375 RC46	44	2	112-01	HHCS 5/16-8x3/4 Gr5 Zn
7	1	805458	Spring	45			<b>See Section 3.0 Clutch System</b>
8	1	125-88	Spring, Return	46	1	612-101	Cable Asm, Throttle
9	1	112-28	HHCS 3/8-24x4.5 Gr5 Zn	47	1	612-92	Cable Asm, Choke
10	1	805169	Screw-Hex Head (Briggs #)	48	2	117-68	Nut, Jam 3/8-24 UNF Zn
11	1	221535	Clamp - Casing (Briggs #)	49	1	108-32	Lockwasher 3/8 Int. Tooth
12	1	601-86	Clip, Retainer	50	1	610-81	Shift Gate, Transmission
13	1	126-95	Filter, Oil	51	2	103-18	HHCS 3/8-24x1.25 Gr5 Zn
14			<b>See Section 3.0 Clutch System</b>	52	2	108-06	Lockwasher 3/8 S/R Zn
15	2	811-14	Spacer	53	2	108-18	Washer 13/32x1.375x11GA
16	1	112-57	HHCS 5/8-11x10.0 Gr5 Zn	54	1	125-56	Drive Belt
17	3	117-83	Locknut, Stover 5/8-11 Zn	55	1	103-34	HHCS 3/8-16x1.25 Gr5 Zn
18	3	811-09	Washer, Square Lock .64 ID	56	1	110-09	Key 1/4 x 1/4 x 3.0
19	2	811-15	Washer, Square Lock .64 ID	57	1	108-46	Washer .40 x 1.37 x .12 Hi-Carbon
20	2	112-58	HHCS 5/8-11x7.5 Gr5 Zn	58	2	103-17	HHCS 3/8-16x1.0 Gr5 Zn
21	16	108-24	Washer .34 x .70 x .06 Zn	59	2	108-26	Washer 3/8 Zn
22	4	112-27	HHCS 5/16-18x1.75 Gr5 Zn	60	1	603-29	Guard, Belt Protect
23	4	117-21	Locknut, Nylon 5/16-18 Zn	61	1	601-92	Trim, Vinyl - 1.5"
24	1	127-49	Spring, Return	62	1	601-93	Trim, Vinyl - 4.25"
25	1	128-01	<b>See Section 2.0 Intake &amp; Exhaust System</b>	63	2	103-55	HHCS 5/16-18x2.75 Gr5 Zn
26			<b>See Section 1.0 Transmission</b>	64	6	108-24	Washer .34 x .70 x .06 Zn
27	as req	108-36	Washer .06x1.00x1.375 Zn	65	1	114-04	Washer, Shim 1.19 x 1.50 x .04
28	2	117-06	Nut, Fin Hex 1/2-13 Zn				
29	2	103-53	HHCS 3/8-16x3.0 Full Thread				
30	2	103-20	HHCS 1/2-13x6.5 Gr5 Zn				
31	as req	108-75	Washer, Shim 1" ID x .5 x .010 - right hand disc only				
32	1	611-71	Frame, Power Pack				
33	2	610-76	Brake Disc - #40-2 x 15T				
34			<b>See Section 5.0 Steering &amp; Brake System</b>				
35	2	108-07	Lockwasher 1/2 Zn				
36	1	112-132	HHCS 5/16-18 x 3.25 Gr5 Zn				
37	1	117-21	Locknut, Nylon 5/16-18 Zn				

# 5.0 Steering & Brake System

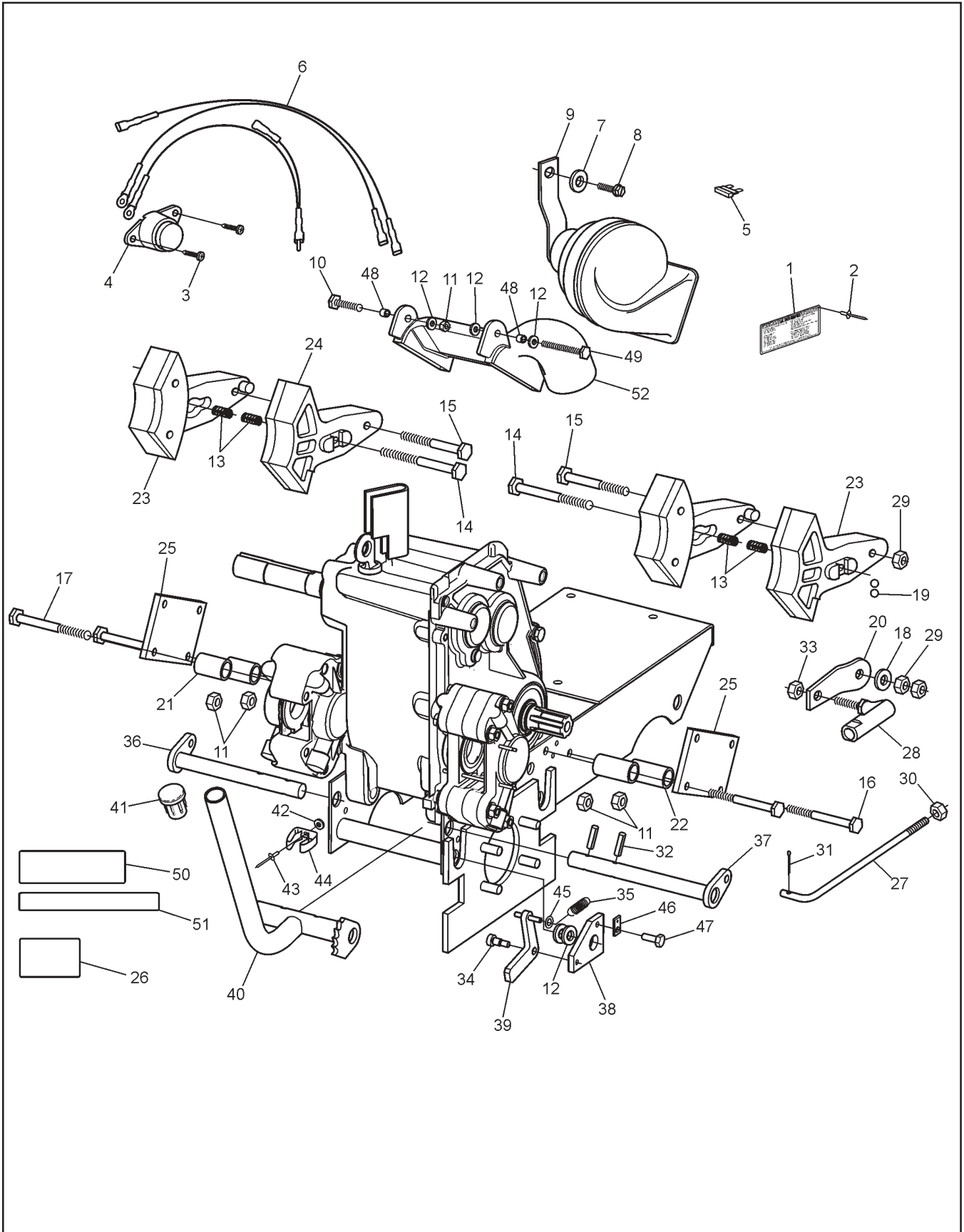
# Vanguard2 Parts Manual



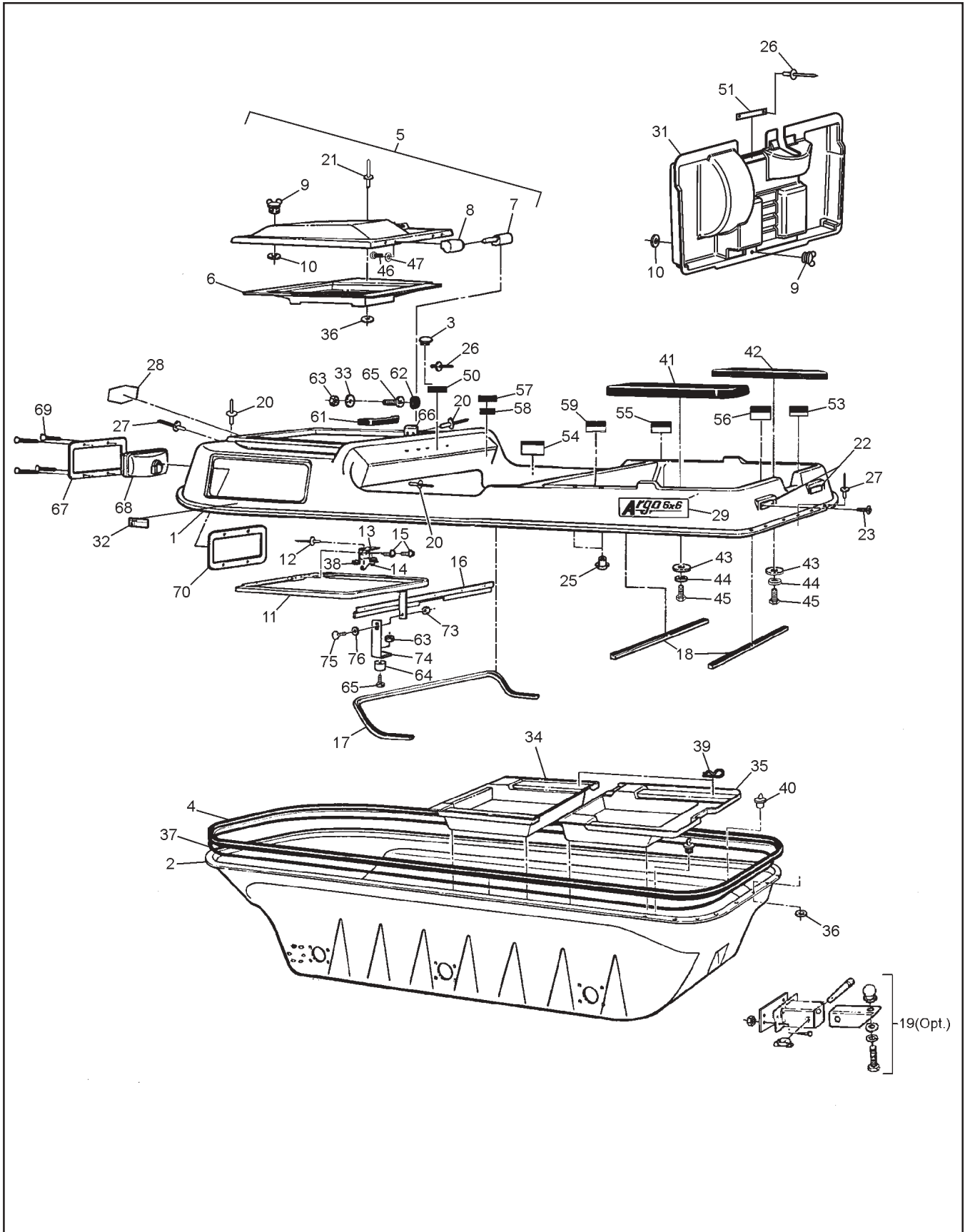
# Vanguard2 Parts Manual

# 5.0 Steering & Brake System

Ref.	Qty.	Part #	Description	Ref.	Qty.	Part #	Description
1	1	612-117	Frame Assembly, Steering Column	40	2x1	168-03	Screw, Bleeding M10 x 1,0
2	1	612-107	Handlebar Assembly	41	2x2	160-41	SHCS M10 x 1,5 x 50mm Zn
3	1	165-08	Master Cylinder, Grimeca - R	42	2x2	160-40	SHCS M8x1,25 x 40 Zn
4	1	165-07	Master Cylinder, Grimeca - L	43	2x2	160-42	FHMS M5 x 0,8 x 6mm
5	1	612-127	Shaft, Steering - Argo	44	2x1	168-08	Cover
6	2	104-07	Pin, Spring 1/4 x 1.25	45	2x1	168-09	Cover, Rubber
7	1	108-47	Washer, .39 x .94 x .13 Zn Di-chr	47	2x1	162-08	Spring, Comp. 17.3 x 49.3mm
8	1	117-29	Locknut, Nylon 3/8-16 Zn	48	2x1		Seal, Primary, 19mm (See Ref. 55)
9	2	612-124	Arm, Steering	49	2x1	168-10	Piston 19mm dia.
10	1	612-106	Clamp, Lower Handlebar	50	2x1		Seal, Secondary, 19mm (See Ref. 55)
11	1	612-105	Clamp, Upper Handlebar	51	2x1		Boot, Rubber (See Ref. 55)
12	1	106-07	Ring, Retaining SH-0075PA	52	2	112-02	SHSS 10-24x1/4 Knurl Cup PT, PL
14	2	105-16	Bushing, Oilite - 3/4 x 1/2	53	2x2	160-04	Washer, Copper 2.3 x 10.0 x 16.0
15	2	110-17	Key, 3/16 x 3/16 x .625	54	2x1	160-45	Bolt, Banjo
16	2	128-10	Retainer, Handbrake Cable	55	2x1	161-25	O-Ring Kit, Master Cylinder - Grimeca (incl. Ref. 48, 50 & 51)
17	4	112-47	SHCS, 1/4-20 x 1.0 Zn	56	2	812-30	Pin, Female
18	6	117-27	Locknut, Nylon 1/4-20 Zn	57	2	117-03	Nut, Fin Hex 1/4-20 Zn
19	2	103-66	HHCS, 1/4-20 x 4.0 Gr5 Zn	58	2	812-31	Fin, Male
20	4	108-08	Washer, .28 x .62 x .04 Zn	59	2	160-44	Bolt, Banjo - M10 x 1,0 x 21,0
21	2	812-17	Collar	60	4	160-01	Washer, Copper - 1,5 x 10,0 x 14,0
22	1	128-17	Lever Assembly, Handbrake, Spring	61	1	100-62	Switch, Light
23	1	128-09	Cable Assembly, Handbrake	62	1	613-05	Wire Harness
24	2	127-35	Grip, Molded	63		126-19	Fluid, Brake-Silicon Dot 5 - .35L
25	1	127-81	Throttle Twist Grip				
26	1	612-101	Cable Asm., Throttle				
27	1	100-64	Tie Wrap - 5.5" - Black				
28	2	161-01	O-Ring Kit, Caliper				
29	2		Seal, Piston - 41mm				
30	1		Seal, Rubber - 5mm				
31	2x1	168-20	Plug, Rubber				
32	1	170-01	Pad Set (4), Brake - Non-Asbestos				
33	2x2	168-06	Pin, Cotter 3,2 x 50mm				
34	2x2	168-05	Piston 41mm				
35	2x1	163-01	Hose Asm, Hydraulic-310mm				
36	2	112-159	BHCS, 1/4-20 x 1.0, Plated				
37	1	166-01RM	Caliper, Hydraulic Brake - L, w/o pads				
38	1	166-02RM	Caliper, Hydraulic Brake - R, w/o pads				
39	2x1	109-03	Ball, Steel - 7/32 Dia.				



Ref.	Qty.	Part #	Description
1	1	127-76	Plate, Capacity-Land/Water
2	4	120-24	Rivet, Alum. 3/32x3/8
3	2	112-56	T/S Pan HD Phil #10x3/4 A Zn
4	1	848-86	Button, Horn
5	1	118-52	Fuse, 10A 2-Prong (ATO10)
6	1	848-88	Wire Harness, Horn
7	1	108-08	Washer .28x.62x.04 Zn
8	1	112-19	Screw, IHWH T/C Slot 1/4-20x1/2
9	1	848-87	Horn, Electric
10	1	103-06	HHCS 5/16-18x1.0 Gr5 Zn
11	5	117-21	Locknut, Nylon 5/16-18 Zn
12	6	108-24	Washer .34x.70x.06 Zn
13	4	100-10	Spring, Comp. 0.53x0.88
14	2	103-16	HHCS 5/16-24x3.75 Gr8 Zn
15	2	103-29	HHCS 5/16-24x2.75 Gr8 Zn
16	2	103-55	HHCS 5/16-18x2.75 Gr5 Zn
17	2	103-84	HHCS 5/16-18x2.25 Gr5 Zn
18	2	108-12	Washer .34x1.00x.06 Zn
19	4	109-02	Ball, Steel 1/4 Chrome steel
20	2	848-75	Cam, Parking Brake
21	2	848-77	Spacer, Left
22	2	848-78	Spacer, Right
23	3	848-79	Caliper, Parking Brake
24	1	848-80	Caliper, Parking Brake - Notch
25	2	848-82	Bracket, Caliper
26	1	848-89	Shim
27	2	848-93	Rod
28	2	848-76	Ball Joint, 5/16-24
29	8	117-46	Locknut, 2-Way 5/16-24 Zn
30	2	117-17	Nut, Jam 5/16-24 Zn
31	2	100-03	Pin, Cotter 3/32x.750 Zn
32	4	111-07	Pin, Roll .250 DIA. x .88 Lg.
33	2	117-04	Locknut, Nylon 5/16-24 Zn
34	1	112-141	Screw, Shoulder 5/16 x 3/8 Lg.
35	1	125-88	Spring
36	1	848-92	Shaft ASM, Left
37	1	848-105	Shaft ASM, Right Brake
38	1	848-104	Plate, Mtg - Lock Lever
39	1	848-102	Lever Asm - Lock
40	1	848-100	Lever ASM, Parking Brake
41	1	639-25	Plug, End - Black
42	1	120-04	Washer .19x.50x.08 Zn
43	1	120-13	Rivet - 3/16x5/8 Black
44	1	848-81	Clip, Coated
45	1	106-21	Retaining Ring TY-18ST PD
46	1	601-86	Clip, Retainer
47	1	103-72	Screw, IHWH T/C Slot 1/4-20x3/4
48	2	108-71	Spacer 5/16 IDx7/16 ODx13/32 Lg.
49	1	112-132	HHCS 5/16-18x3.25 Gr5 Zn
50	1	127-130	Label Stock - 2.75" Wide
51	1	127-133	Plate, Serial Number - Blank - Must be stamped with vehicle serial # provided by owner
52	1	128-01	Duct, Brake Cooling



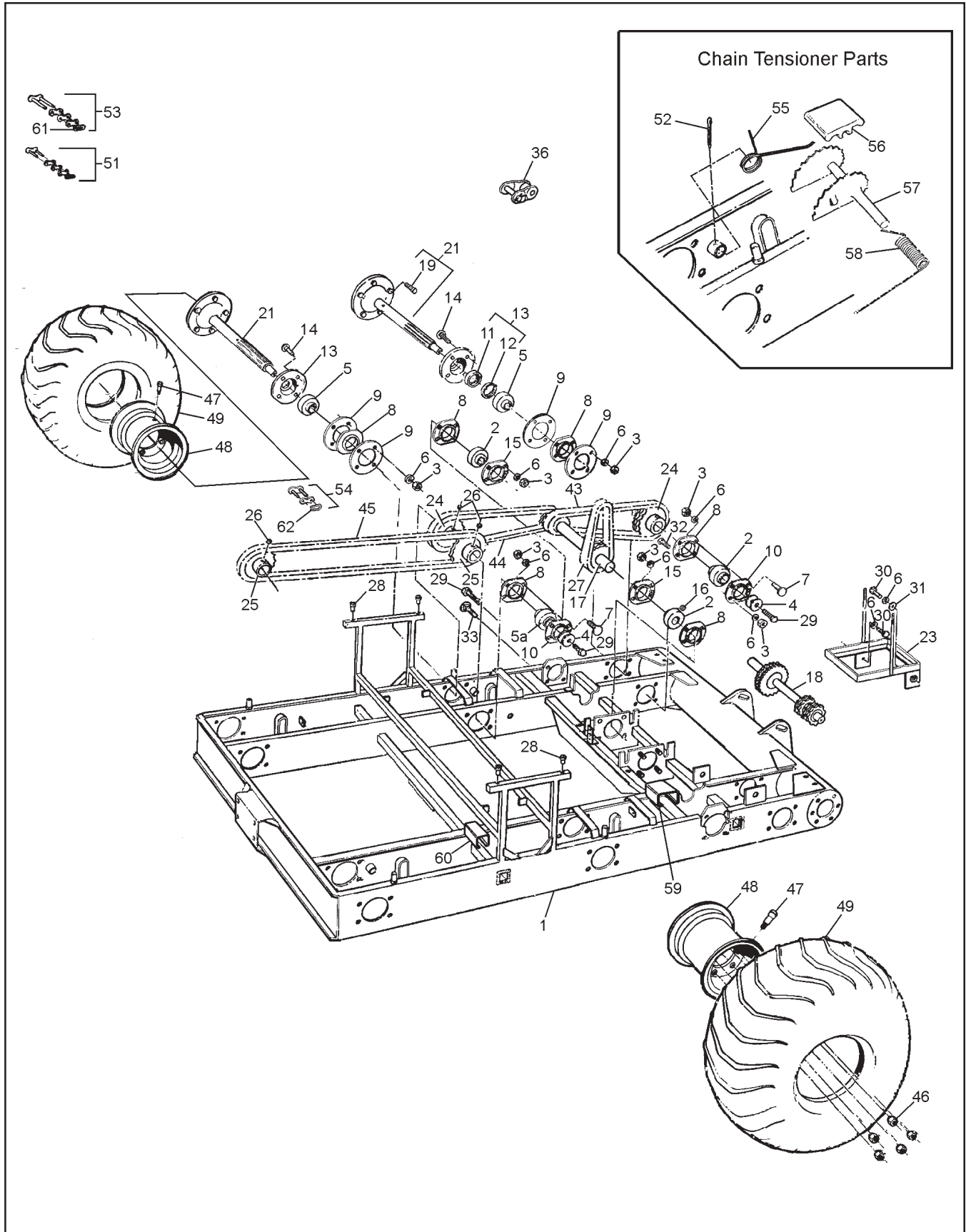


## Vanguard2 Parts Manual

## 7.0 Vehicle Body & Firewall

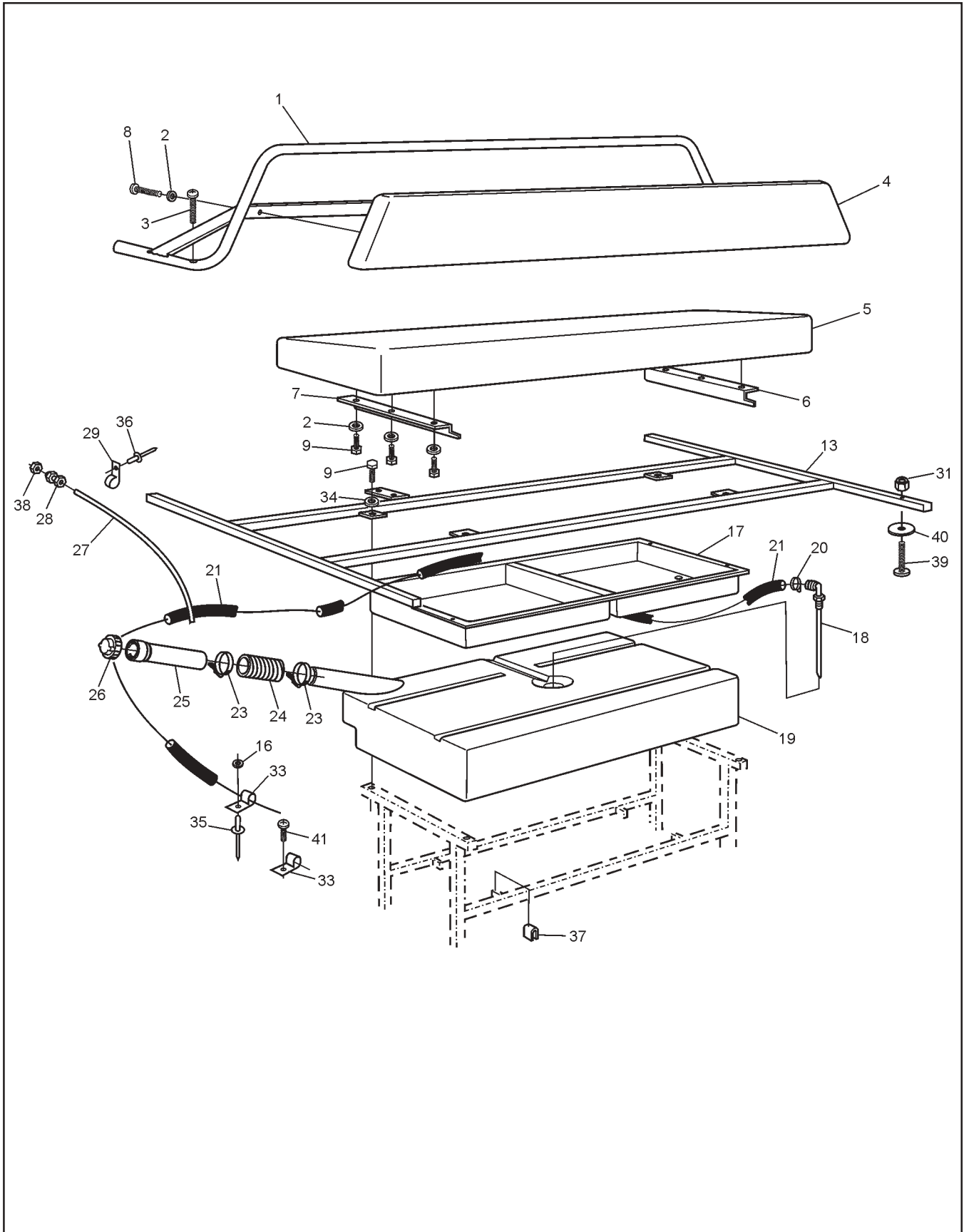
Ref.	Qty.	Part #	Description
1	1	601-32	Body + Hood, Upper - VAN2, spec. clr., (incl. Ref 5, 11, 12, 13, 14, 15, 38)
2	1	603-92BL	Body, Lower - 6x6, Black
3	1	127-28	Plug, Nylon - Black
4	1	601-05	Bumper, Vinyl - 6 x 6
5	1	602-37	Hood Kit, Van2, specify colour
6	1	801-47	Duct, Intake Transition, specify colour
7	2	127-45A	Pin, Hinge
8	2	127-45B	Knuckle, Hinge
9	1	126-10	Wing Stud
10	1	126-09	Grommet, Alum, #GH-7
11	1	602-24	Hood Support Assembly
12	2	120-15	Rivet 1/8 x 7/16
13	1	601-69	Spring Plate
14	1	126-11	Spring
15	2	112-19	Screw, IHWH T/C Slot 1/4-20 x 0.5"
16	1	602-29	Brace, Dash
17	1	601-08	Vinyl Trim, 84"
18	2	601-09	Vinyl Trim, 28"
19	1	626-10	Hitch Kit (Opt.)
20	12	120-13	Rivet 3/16 x 5/8
21	5	120-09	Rivet 3/16 x 1
22	2	127-01	Reflector, Red
23	4	103-48	Pan HD Phil T/S #10x5/8 A Zn
25	4	117-44	T-Nut 1/4-20 PL
26	42	120-24	Rivet, Alum, 3/32x3/8-all plates
27	71	120-09	Rivet, 3/16 x 1
28	1	601-44	Nameplate, "ARGO"
29	2	127-41	Nameplate, 6x6 Vanguard2
31	1	609-41RM	Firewall, Handle Bar Steering
32	1	127-144	Label, Warning - HOT
33	2	120-05	Washer, .195x.50x.04 Zn
34	1	603-02	Floor Pan, Front, specify colour
35	1	603-03	Floor Pan, Rear 6x6, specify colour

Ref.	Qty.	Part #	Description
36	51	120-04	Washer, .195x.50x.08 Zn
37	1	126-60	Vinyl Strip 1/2"x1/4"x37.5'
38	2	120-05	Washer, .19x.50x.04 Zn
39	4	100-16	Clip, Hitch Pin 1.625 Zn
40	2	100-18	Plug, Drain 5/8" x 13/32"
41	1	601-03	Seat, Rear LH - 6x6
42	1	601-02	Seat, Rear RH - 6x6
43	2	603-15	Washer, Plastic
44	2	108-01	Washer, Fender 1/4 SAE Zn
45	2	103-08	HHCS 1/4-20 x 1.00 Zn
46	8	103-47	HHCS 10-24 x 1/2
47	8	108-59	Lockwasher, #10 Int. tooth, Zn
50	1	127-153	Plate, Keyswitch
51	1	127-152	Shifting Plate
53	1	126-67	Floor Pan Plate
54	1	126-68	Operation Plate
55	1	126-69	Fuel Plate
56	1	127-76	Plate, Capacity - Land/Water
57	1		Vehicle ID Plate
58	1		U.S. Plate, Non U.S. Argos only
59	1	127-51	Plate, Capacity - 6x6
61	1	125-41	Dash Handle, incl. 62
62	2		Plug cap, avail. only with 61
63	3	117-10	Locknut, Nylon #10-24 Zn
64	1	126-88	Bumper, Rubber
65	3	103-25	PHMS #10-24 x 3/4" Zn
66	1	602-38	Clip, Hood
67	2	613-75	Bezel, Headlamp
68			<b>See Section 10.0 Electrical System</b>
69	8	103-24BL	OHPS T/S #6x1.00 Black Zn
70	2	613-76	Bracket, Headlight Backing
73	1	117-15	Nut, Fin. Hex 3/8-16 Zn
74	1	602-27	Support, Adjustable
75	1	103-89	C/Bolt 3/8-16 x .75 Gr2 Zn
76	1	108-06	Lockwasher, 3/8 S/R, Zn



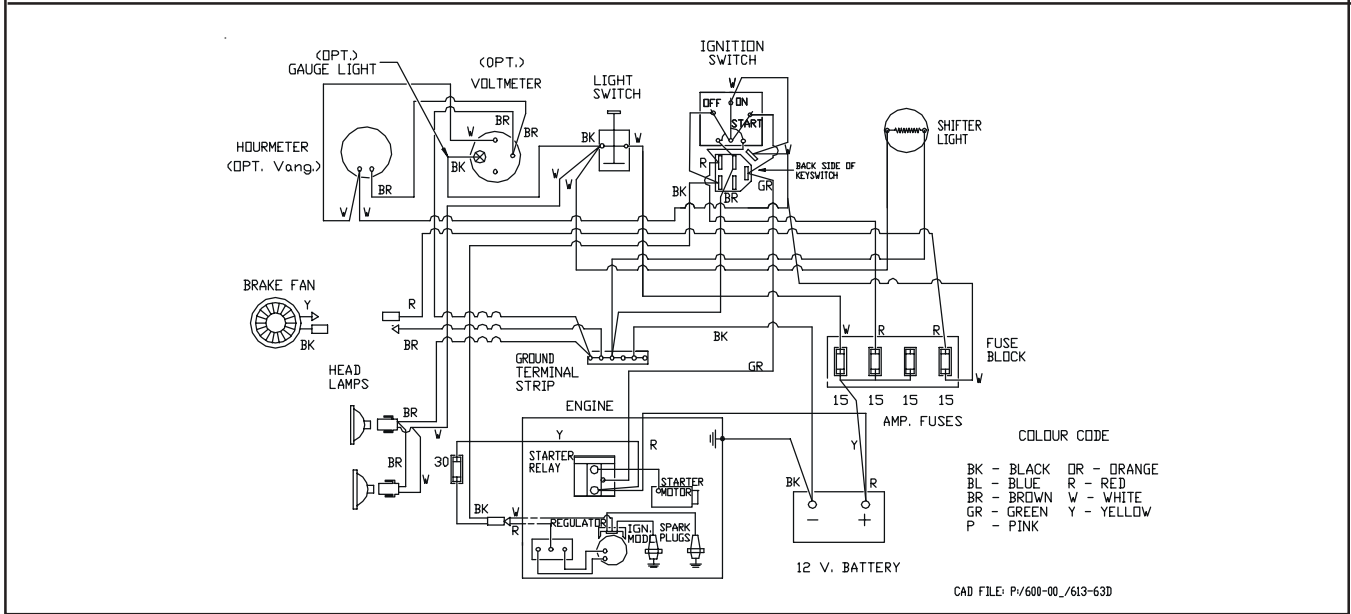
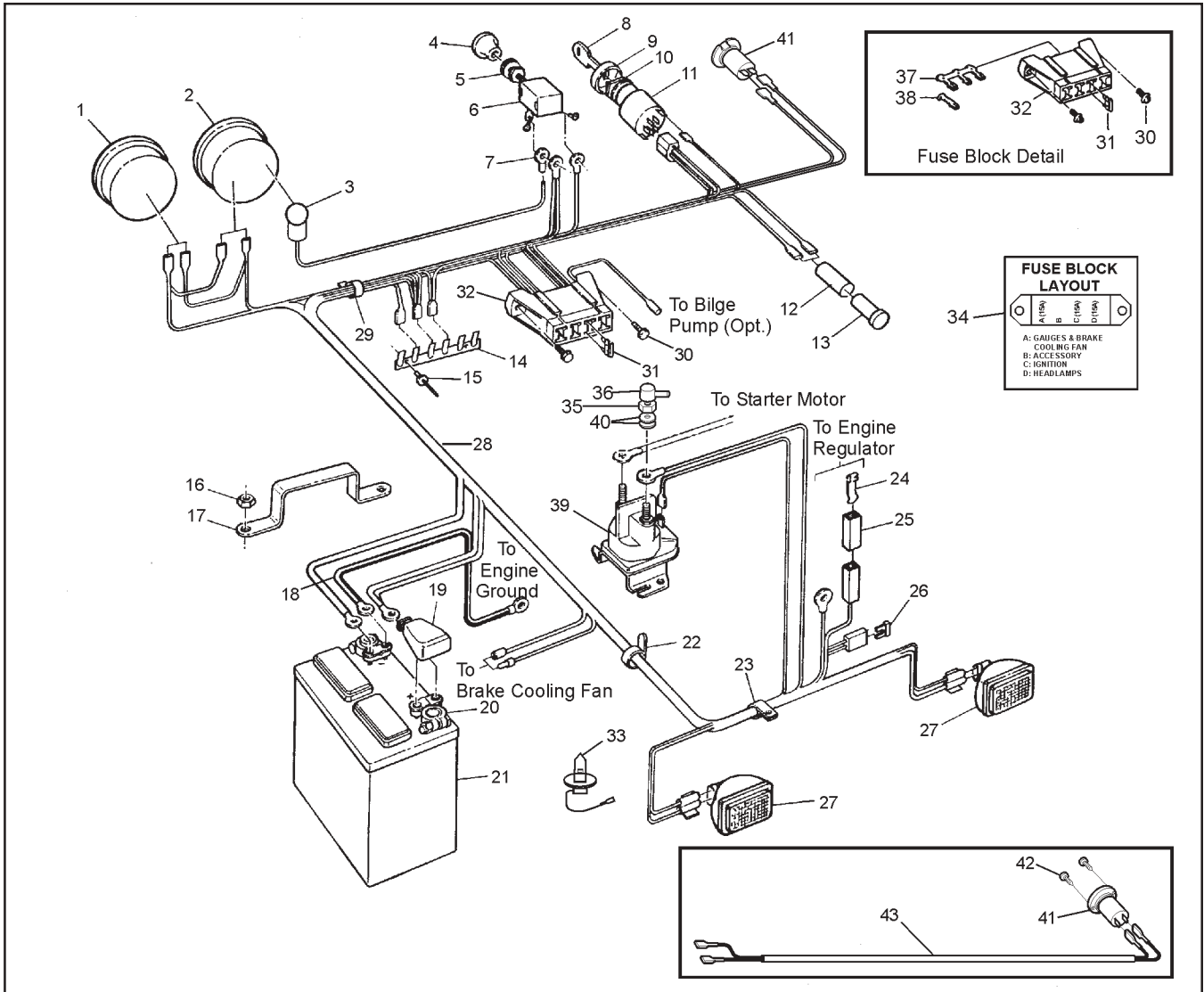
Ref.	Qty.	Part #	Description
1	1	606-60	Frame Asm - 6x6
2	10	101-41	Bearing, Ball - 1.0
3	64	117-15	Nut, Fin Hex 3/8-16 Zn
4	12	108-46	Washer .40x1.37x.12 Hi-Carbon
5	6	101-35	Bearing, Ball - 1.25
6	66	108-06	Lockwasher 3/8 Zn
7	22	103-88	C/Bolt 3/8-16x1.0 Gr5 Zn
8	16	605-63	Flange - 4-hole
9	12	605-89	Gasket,Outer Bearing Flange
10	6	101-20	Flange Greasable - 4 Hole
11	6	102-14	Seal, Oil 1.25x1.75x0.188
12	6	102-15	Seal, Oil 1.25x1.874x0.25
13	6	605-97	Flange Assem, Outer (incl. Refs. 11 & 12)
14	24	112-39	C/Bolt 3/8-16x1.75 Gr5 Zn
15	4	101-80	Flange, Greaseable - 90 Degree
16	4	112-60	SHSS 1/4x28x1/2 Cup Pt.
17	1	606-30	Idler Asm. - L4x11T 2x24T
18	1	606-31	Idler Asm. - R4x11T 2x24T
19	5x6	103-80	Stud, Wheel 7/16-20 x 1.125 #B271
21	6	810-75	Axle Assembly (incl. Ref. 19)
23	1	604-84	Frame Assembly, Battery
24	4	810-28	Sprocket, Double - 24T
25	4	606-34	Sprocket - S60x19T
26	6	112-03	SHSS 5/16-18x3/8 1/2 DOG, PL
27	2	603-22	Chain, Idler RC40-2 x 46P (incl. Ref 51)
28	4	117-64	Insert, 1/4-20
29	10	112-31	HHCS 3/8-16 x 1.0 2B Gr8 Zn
30	2	112-14	HHCS 3/8-16x.75 Gr5 Zn
31	1	108-15	Washer 3/8 SAE Zn
32	2	103-82	HHCS 3/8-16x1.5 Gr5 Zn
33	4	112-61	C/Bolt 3/8-16x1.25 Gr5 Zn
34	2	120-15	Rivet 1/8x7/16
35	1	126-11	Spring
36		127-80	Link, Half - RC60 - 1 (opt.)
43	2	603-17	Chain RC50 - 2x42P - Front (incl. Ref 53)
44	2	603-26	Chain RC50 - 2x76P - Mid (incl. Ref 53)
45	2	603-83	Chain RC60 - 1x88P - Rear (incl. Ref 54)
46	5x6	117-35	Nut, Wheel 7/16-20 Zn
47	6	125-26	Valve, Tire
48	6	125-13C	Rim - 8x7 - 5 bolt - Charcoal
49	6	126-96	Tire, Goodyear Runamuk 22 x 10-8
51	1x2	100-97	Con. Link, RC40-2 H.D.
52	4	100-01	Pin, Cotter 1/8 x 1.50 Zn
53	1x4	100-96	Con. Link, RC50-2 H.D.
54	1x2	603-84	Con. Link, RC60-1 STD.
55	4	127-65	Spring Torsion - 1.16x0.35
56	4	606-39	Slider Block - 1/2" Shaft
57	4	606-35	Tensioner Asm, Chain
58	4	127-64	Spring, Torsion - .76 x 1.9
59	2	606-41	Slide, Chain - 2"
60	2	606-42	Slide, Chain - 1.25"
61	6	603-95	Spring Clip - RC 50 Closed
62	4	603-96	Spring Clip - RC 60 Closed

# 9.0 Fuel System & Seat Assembly Vanguard2 Parts Manual



# Vanguard2 Parts Manual 9.0 Fuel System & Seat Assembly

Ref.	Qty.	Part #	Description
1	1	803-50	Handrail Assembly
2	4	108-03	Lockwasher, 1/4 split ring Zn
3	2	112-41	PHMS, Phil 1/4-20x1.250 Zn
4	1	608-39	Back Pad Assembly
5	1	608-43	Seat, Bench
6	1	608-30	Angle, Left
7	1	608-31	Angle, Right
8	4	103-03	PHMS, Phil 1/4-20 x 1.50 Zn
9	10	112-04	HHCS 1/4-20x3/4 Gr2 Zn
10	6	108-03	Lockwasher 1/4 split ring Zn
13	1	804-17	Frame Assembly, Seat
16	3	120-04	Washer, .195x.50x.08 Zn
17	1	608-32	Tool Box
18	1	608-28	Pickup Assembly, Fuel (see Ref. 19)
19	1	608-24	Tank, Fuel 32 litre (incl. Ref. 18)
20	2	112-79	Clamp, Hose, 1/2" - Black
21	1	608-42	Fuel Hose, 110"
23	2	100-12	Clamp, Gear 2.25" HF36
24	1	125-94	Hose, Filler
25	1	126-47	Fuel Neck Assembly
26	1	126-46	Cap, Fuel
27	1	126-77	Hose, Vent 93" 6x6
28	1	126-50	Male Connector, 1/4"
29	5	126-94	Clamp, Nylon Wire, 1/4" ID
30	4	112-04	HHCS 1/4-20 x 3/4 Gr2 Zn
31	12	117-10	Locknut, Nylon #10-24 Zn
33	4	126-93	Clamp, Nylon Wire, 1/2" ID
34	4	108-08	Washer, .28 x .62 x .04 Zn
35	3	120-09	Rivet, 3/16 x 1
36	6	120-13	Rivet, 3/16 x 5/8
37	4	702-06	Foam Cushion
38	1	117-54	Locking PAL Nut, 1/2-20 Zn
39	12	112-07	RHMS, 10-24 x 1.50 Zn
40	12	108-42	Washer, .062 x 7/32 x 1.00 Zn
41	1	103-48	T/S Pan HD Phil #10-5/8 A Zn



Ref.	Qty.	Part #	Description
1	1	632-15	Hourmeter #56458-10 (#876EM)
2	1	633-10	Voltmeter #07583-15 (#830EM)
3	2	634-10	Light Kit, #06215-00 5/8" dia, see Ref. 32 & 33
4	1	126-76	Knob, Light
5	1	108-55	Lockwasher 7/16 Ext. Tooth
6	1	100-62	Switch, Light
7	1	118-30	Terminal, Eye - #10
8	2	127-108	Key,molded
9	1	127-107	Cover, nut
10	1	127-106	Nut, flanged - plastic
11	1	127-105	Switch - Egnition
12	1	118-48	Heat Shrink
13	1	634-08	Light, Indicator
14	1	613-37	Terminal Strip, Ground
15	2	120-15	Rivet 1/8 x 7/16
16	2	117-21	Locknut, Nylon 5/16-18 Zn
17	1	604-52	Bracket, Battery Retaining
18	1	613-14	Ground Wire
19	1	127-55	Cap, Battery Terminal - Red
20	2	127-56	Terminal, Battery Post
21	1	127-54	Battery, Exide 45-60
22	8	100-64	Tie Wrap - 5.5" - Black
23	10	126-93	Clamp, Nylon Wire - 1/2" ID
24	1	118-56	Contact
25	1	118-57	Connector Housing
26	1	118-51	Fuse, 30A 2-prong (AT030)
27	2	613-69	Headlamp, Halogen (incl. Ref. 33)
28	1	613-63	Wire Harness
29	1	127-24	Clamp, Nylon - 1" ID
30	2	112-51	Screw, IHWH T/C #10-24x5/8
31	4	118-49	Fuse, 15 A 2-prong (AT015)
32	1	118-60	Block Fuse - 8 position (4 fuse)
33	2	127-46	Bulb, Headlight - Halogen
34	1	127-127	Label, Fuse Panel (located on Guard, Belt Protect - see pg. 7)
35	2	117-20	Nut, Fin. Hex 1/4-20 Zn
36	1	613-45	Insulator, Terminal (6 ga.)
37	1	118-63	Terminal, Fuse - Triple
38	5	118-62	Terminal, Fuse - Single
39	1	613-68	Starter Relay
40	5	108-03	Lockwasher 1/4 Zn
41	1	613-90	Outlet, 12 Volt DC
42	3	112-139	#4 Phil Drive Oval Head Screw, Black
43	1	613-91	Wire Harness, 12V Acc. Outlet

# ***ARGO* Products Manufactured by:**

## **Ontario Drive & Gear Limited**

220 Bergey Court  
New Hamburg, Ontario  
Canada N3A 2J5  
Phone: (519) 662-2840  
Fax: (519) 662-2421

**ODG** *Dedicated to quality and performance*